



T&S BRASS AND BRONZE WORKS, INC.
 2 SADDLEBACK COVE / P.O. BOX 1088 / TRAVELERS REST, SC 29690
 PHONE 800-476-4103 FAX 864- 834-3518

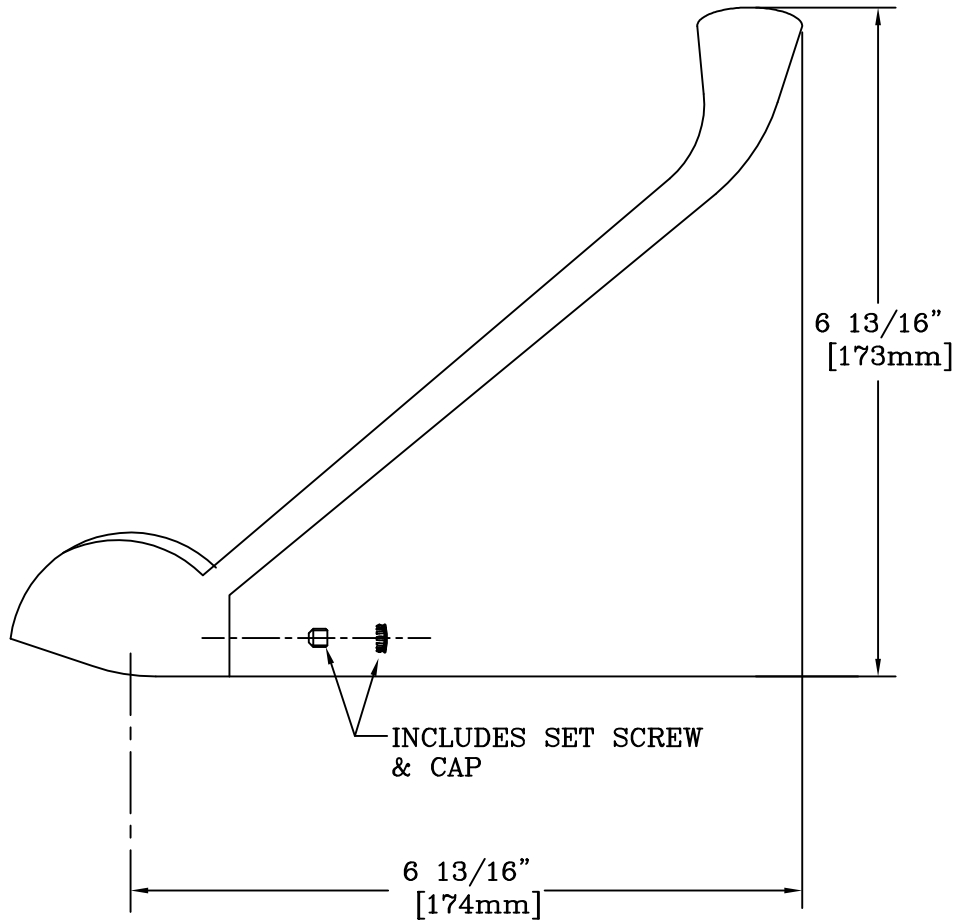


Model No.
 011626-45
 Item No.:

Job Name:

Architect/Engineer Approval:

Notes:



Product Description:
 SINGLE LEVER LINE ACCESSORY:
 LONG HANDLE WITH HARDWARE

Drawn:

WJS

Checked

MVW

Scale:

1:2

Approved

MVW

Date:

8/18/98