

**T&S BRASS AND BRONZE WORKS, INC.**  
 2 SADDLEBACK COVE / P.O. BOX 1088 / TRAVELERS REST, SC 29690  
 PHONE 800-476-4103 - FAX 864- 834-3518



Sales No.

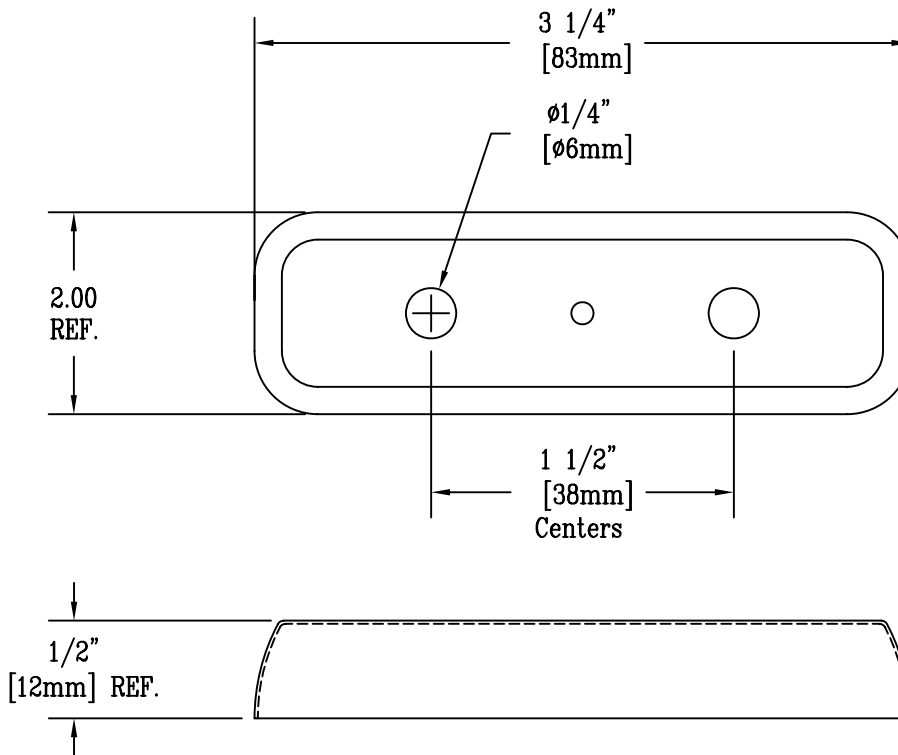
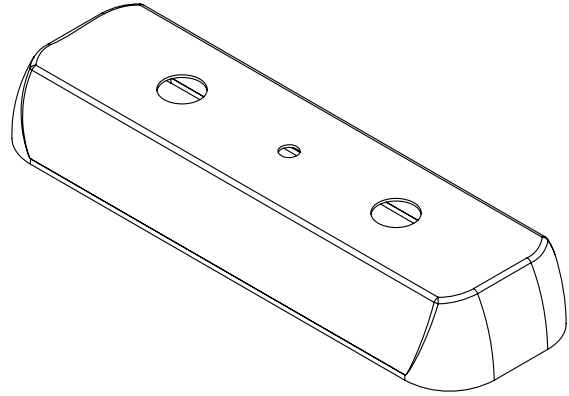
012150-40

**RELIABILITY  
BUILT IN**

Job Name:

Architect/Engineer Approval:

Notes:



Finish: Chrome Plated

Product Description:

B-0512 Escutcheon

Drawn:

DHL

Approved

JHB

Checked

GEF

Scale:

1:2

Date:

6/15/07