



T&S BRASS AND BRONZE WORKS, INC.
 2 SADDLEBACK COVE / P.O. BOX 1088 / TRAVELERS REST, SC 29690
 PHONE 800-476-4103 - FAX 864- 834-3518



Sales No.

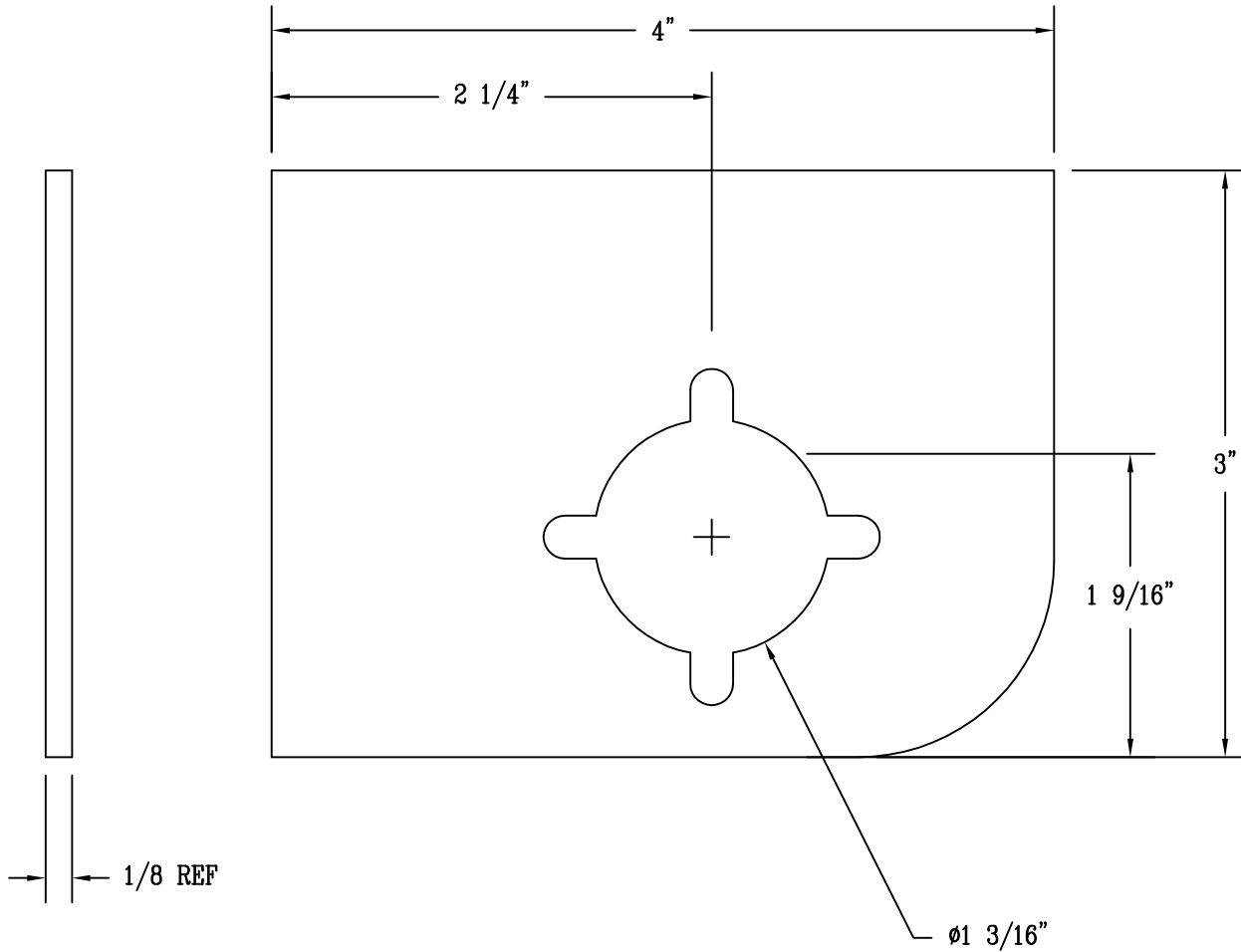
013402-45

**RELIABILITY
 BUILT IN**

Job Name:

Architect/Engineer Approval:

Notes:



Material: Stainless Steel

Product Description:

Vr Backing Plate
 For B-0300 Style

Drawn:

DHL

Checked

MAV

Scale:

1 : 1

Approved

JHB

Date:

02/26/07