

**T&S BRASS AND BRONZE WORKS, INC.**  
 2 SADDLEBACK COVE / P.O. BOX 1088 / TRAVELERS REST, SC 29690  
 PHONE 800-476-4103 - FAX 864- 834-3518

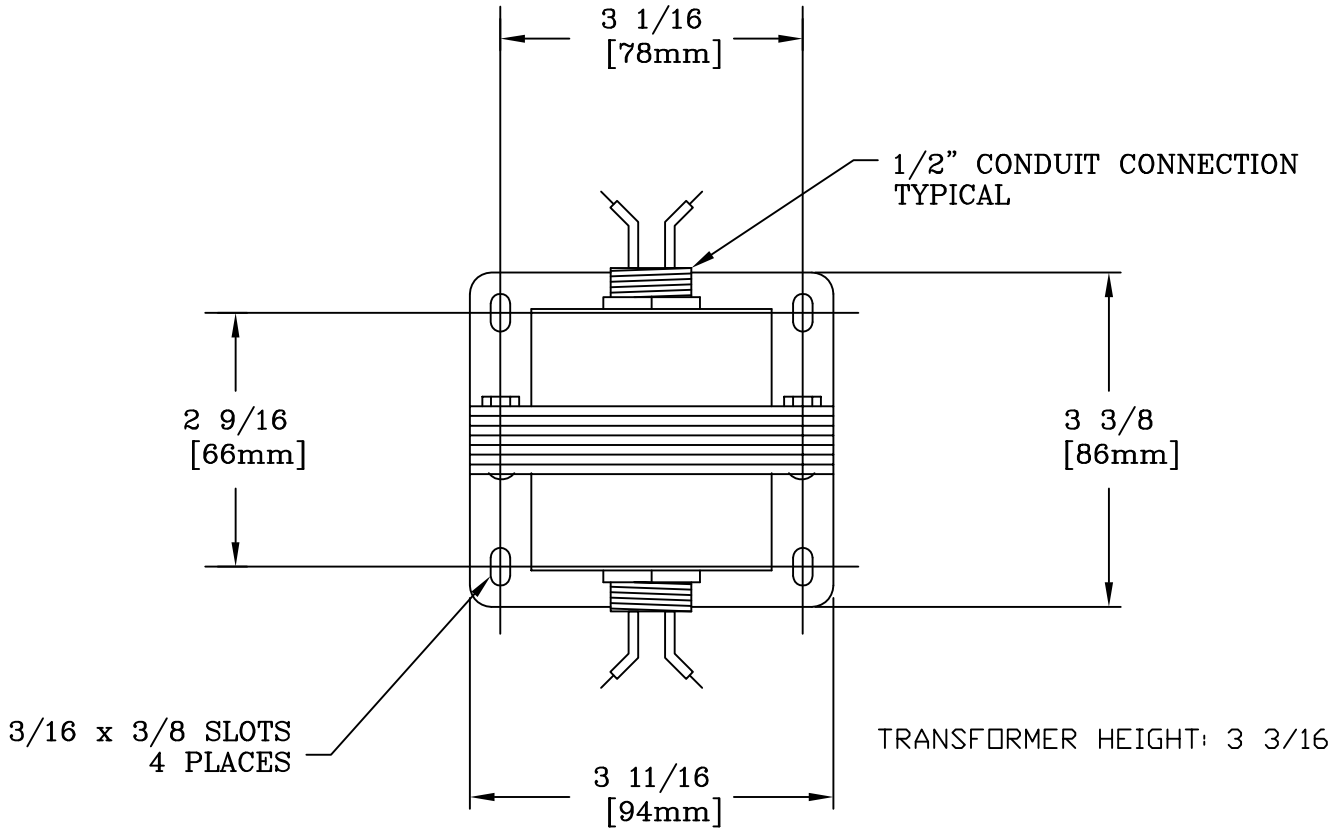


Sales No.  
 013905-45  
**RELIABILITY  
 BUILT IN**

Job Name:

Architect/Engineer Approval:

Notes:



LINE: WHITE & BLACK LEADS (18 AWG)  
 LOAD: BROWN & ORANGE (16 AWG)

**FOOT-MOUNT TRANSFORMER**  
 OUTPUT - 100VA  
 PRIMARY 120 VOLTS  
 SECONDARY 24 VOLTS  
 CLASS 2 TRANSFORMER  
 [WILL OPERATE UP TO SIX ELECTRONIC FAUCETS]

Product Description: 100VA FOOT-MOUNT TRANSFORMER 120VAC PRIMARY/24VAC SECONDARY OPERATES UP TO 6 ELECTRONIC FAUCETS	Drawn:	Checked:	Scale:
	JKD	LEL	1:2
	Approved:	Date:	
MVW	9/16/02		