



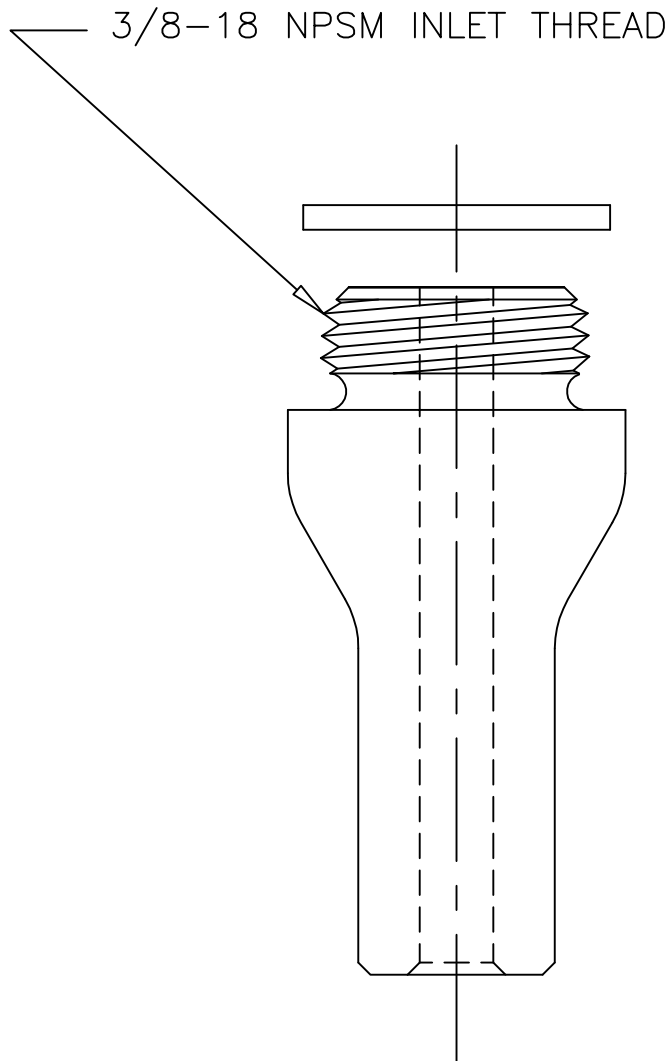
**T&S BRASS AND BRONZE WORKS, INC.**  
 2 SADDLEBACK COVE / P.O. BOX 1088 / TRAVELERS REST, SC 29690  
 PHONE 800-476-4103 - FAX 864- 834-3518



Sales No.  
 014015-40  
**RELIABILITY  
 BUILT IN**

Job Name: \_\_\_\_\_ Architect/Engineer Approval: \_\_\_\_\_

Notes: \_\_\_\_\_



Product Description: SPRAY VALVE NOZZLE TIP FOR B-1407-G HOSE REEL	Drawn: MVW	Checked JKD	Scale: 2 : 1
	Approved MVW		Date: 01/10/03