



# T&S BRASS AND BRONZE WORKS, INC.

2 Saddleback Cove / P.O. Box 1088  
Travelers Rest, SC 29690



REG. #A2601  
ISO #9001

Model No.  
**014152-40CA**

Item No.

Travelers Rest, SC: 800-476-4103 Simi Valley, CA: 800-423-0150 Fax: 864-834-3518 www.tsbrass.com

This Space for Architect/Engineer Approval

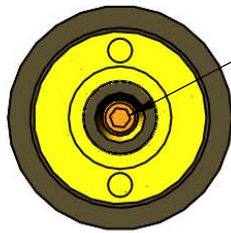
Job Name \_\_\_\_\_ Date \_\_\_\_\_

Model Specified \_\_\_\_\_ Quantity \_\_\_\_\_

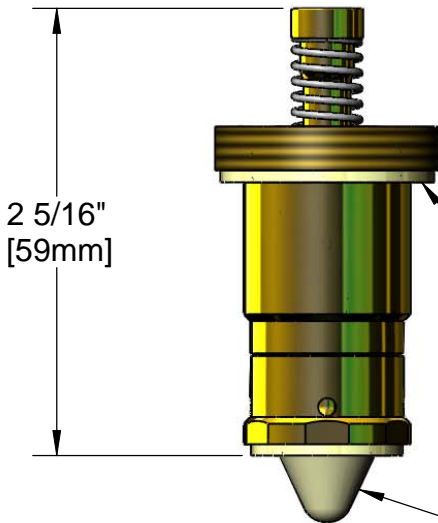
Customer/Wholesaler \_\_\_\_\_

Contractor \_\_\_\_\_

Architect/Engineer \_\_\_\_\_



Metering Adjustment Screw  
(Requires 3/32" Hex Key Wrench)



2 5/16"  
[59mm]

1.165-18UNS  
Note: Interchangeable w/ Push Button,  
Wrist Action, & Foot Pedal  
Assemblies

Santoprene Seals

Filter Washer

Product Specifications:

**Metering Barrel Assembly, Lead Free**

Drawn <b>DMH</b>	Checked <b>GEF</b>	Approved <b>JHB</b>
Scale: <b>1:1</b>		Date: <b>07/09/08</b>