

T&S BRASS AND BRONZE WORKS, INC.  
 2 SADDLEBACK COVE / P.O. BOX 1088 / TRAVELERS REST, SC 29690  
 PHONE 800-476-4103 FAX 864-834-3518



Model No.

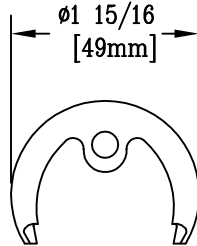
014158-45

Item No.:

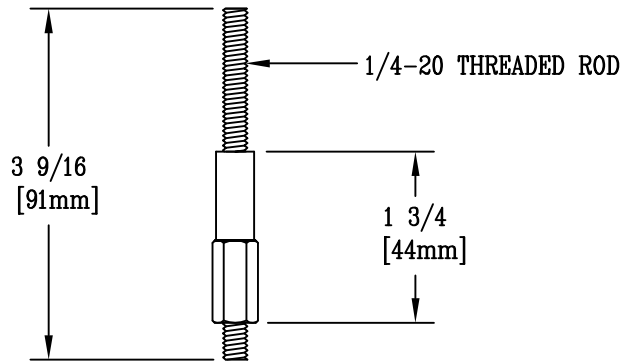
Job Name:

Architect/Engineer Approval:

Notes:



LOCK WASHER



THREADED ROD & LOCKNUT



3/32" ALLEN WRENCH

MODELS USED IN:

B-2740, B-2741, B-2742, B-2743 & B-2744

Product Description:

Drawn:

Checked

Scale:

TEH

WJS

1 : 2

Approved

Date:

MVW

4/12/04

FAUCET MOUNTING KIT