



**T&S BRASS AND BRONZE WORKS, INC.**

2 SADDLEBACK COVE / P.O. BOX 1088 / TRAVELERS REST, SC 29690

PHONE 800-476-4103

FAX 864- 834-3518



Model No.

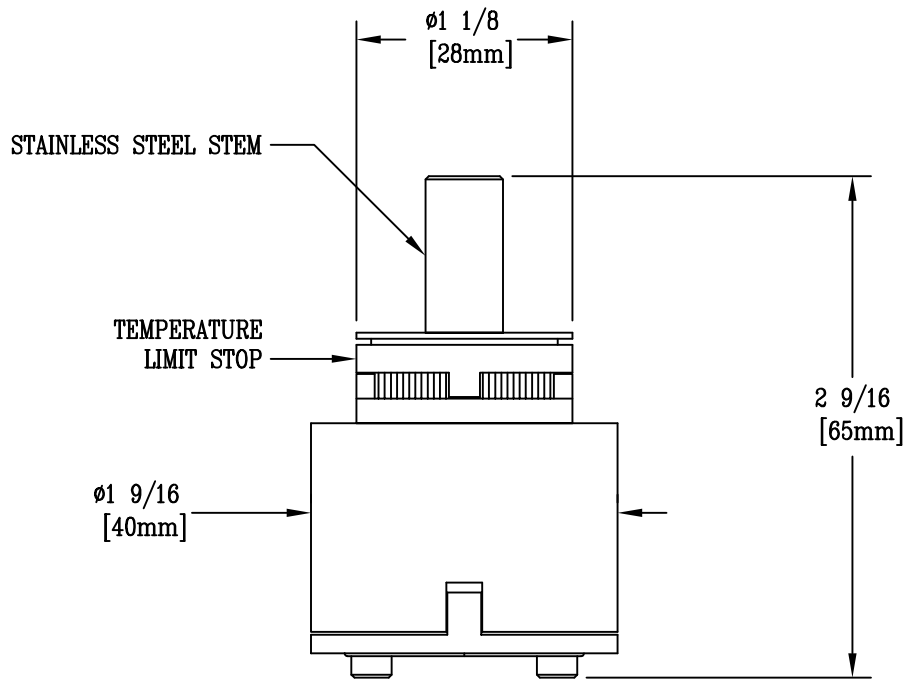
014165-45

Item No.:

Job Name:

Architect/Engineer Approval:

Notes:



**MODELS USED IN:**

B-2720-S & B-2721-S

Product Description:

B-2720-S & B-2721-S SINGLE LEVER CARTRIDGE

Drawn:

TEH

Approved

MVW

Checked

WJS

Scale:

1 : 1

Date:

4/12/04