



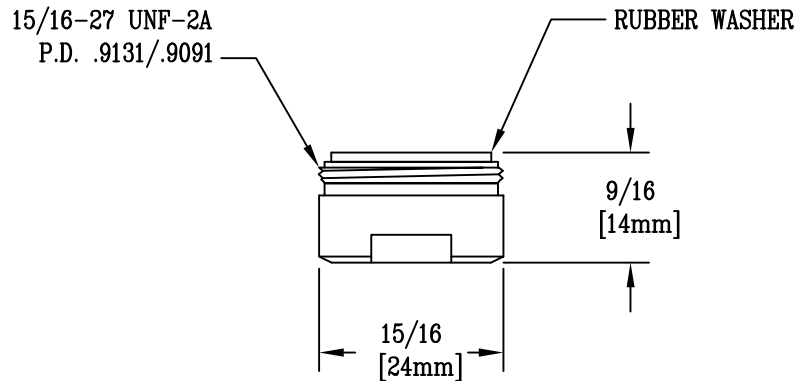
T&S BRASS AND BRONZE WORKS, INC.  
 2 SADDLEBACK COVE / P.O. BOX 1088 / TRAVELERS REST, SC 29690  
 PHONE 800-476-4103 FAX 864- 834-3518



Model No.  
 014170-45  
 Item No.:

Job Name: Architect/Engineer Approval:

Notes:



SIDE VIEW

MODELS USED IN:  
 B-2720 & B-2721

Product Description:  B-2720 & B-2721 AERATOR	Drawn: TEH	Checked WJS	Scale: 1 : 1
	Approved MVW		Date: 4/12/04