



T&S BRASS AND BRONZE WORKS, INC.
 2 SADDLEBACK COVE / P.O. BOX 1088 / TRAVELERS REST, SC 29690
 PHONE 800-476-4103 FAX 864- 834-3518



Sales No.

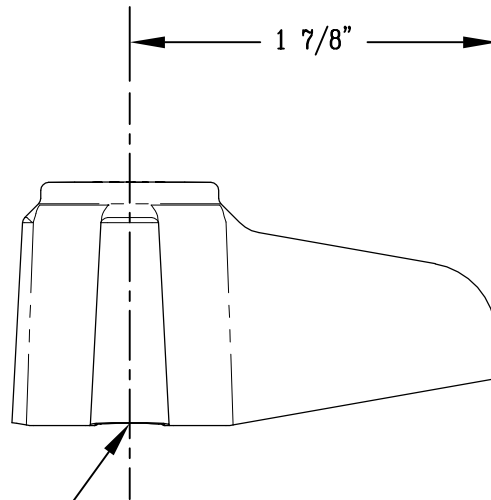
014578-45

Item No.:

Job Name:

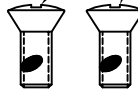
Architect/Engineer Approval:

Notes:



INTERNAL CARTRIDGE SPLINE
 FITS 013787-45 AND 013788-45
 CERAMIC CARTRIDGES

ONE RED AND ONE BLUE
 COLOR-CODED SCREW
 WITH LOCKING PATCH



Product Description:

Drawn:

Checked

Scale:

MVW

WJS

1 : 1

Approved

Date:

MVW

3/26/04

European T&S Lever Handle
 w/ Red and Blue Color-Coded Screws