



T&S BRASS AND BRONZE WORKS, INC.

2 Saddleback Cove / P.O. Box 1088
Travelers Rest, SC 29690



REG. #A2601
ISO #9001

Model No.
016752-40CA

Item No.

Travelers Rest, SC: 800-476-4103 Simi Valley, CA: 800-423-0150 Fax: 864-834-3518 www.tsbrass.com

This Space for Architect/Engineer Approval

Job Name _____ Date _____

Model Specified _____ Quantity _____

Customer/Wholesaler _____

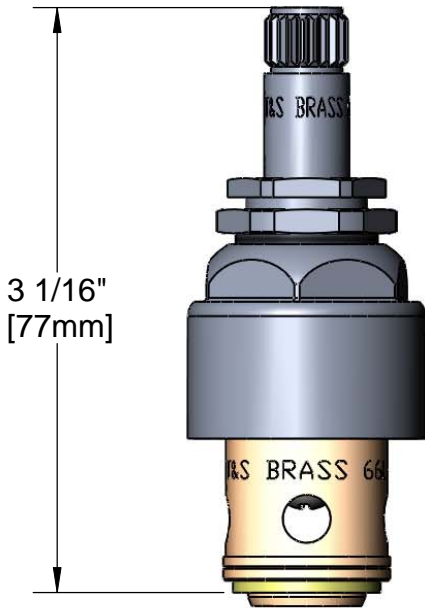
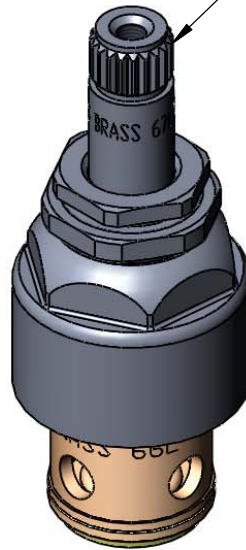
Contractor _____

Architect/Engineer _____



Stem Fits All
Standard T&S
Handles

Concealed Widespread
EasyInstall
Bonnet Assembly



Product Specifications:

**Concealed Widespread EasyInstall
LTC Eterna w/Teflon Seal**

Drawn
JRM

Checked
ARH

Approved
JHB

Scale:

1:1

Date:

09/29/08