

T&S BRASS AND BRONZE WORKS, INC.
 2 SADDLEBACK COVE / P.O. BOX 1088 / TRAVELERS REST, SC 29690
 PHONE 800-476-4103 - FAX 864- 834-3518



Sales No.

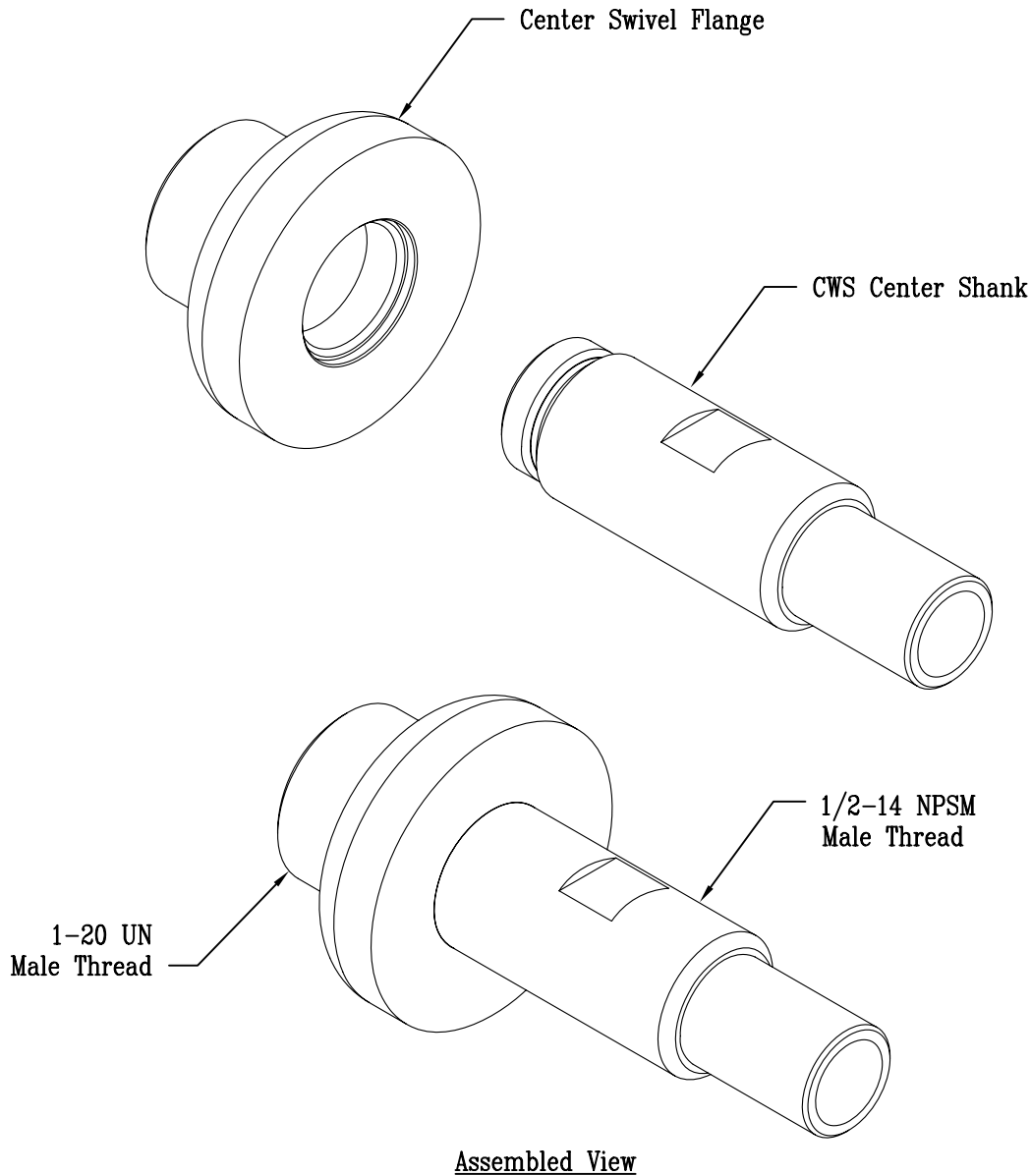
016754-40

**RELIABILITY
 BUILT IN**

Job Name:

Architect/Engineer Approval:

Notes:



Product Description:

EasyInstall Swivel Center Shank Assembly

Drawn:

DHL

Checked

MAV

Scale:

1:1

Approved

JHB

Date:

11/12/08