



T&S BRASS AND BRONZE WORKS, INC.
 2 SADDLEBACK COVE / P.O. BOX 1088 / TRAVELERS REST, SC 29690
 PHONE 800-476-4103 - FAX 864- 834-3518



REG.#A2601
 ISO #9001

Sales No.

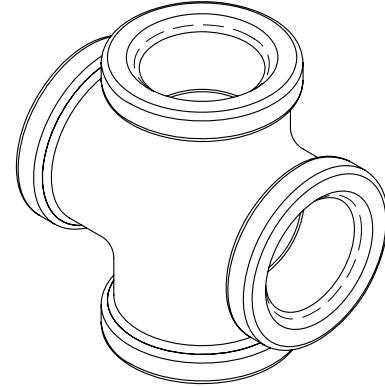
016804-40

**RELIABILITY
 BUILT IN**

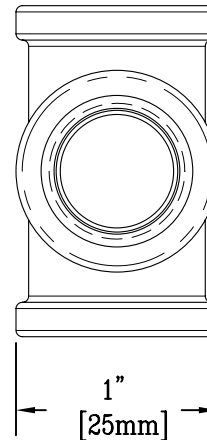
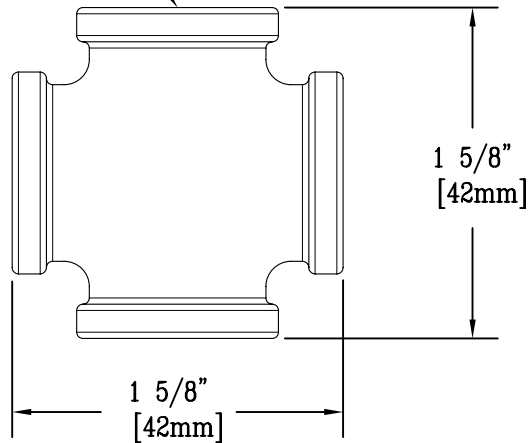
Job Name:

Architect/Engineer Approval:

Notes:



3/8-18 NPT
 Typ. (4) Places



Finish: Chrome Plate

Product Description:

3/8" NPT Cross - Chrome Plate

Drawn:

DHL

Checked

MAV

Scale:

1:1

Approved

JHB

Date:

11/12/08