



T&S BRASS AND BRONZE WORKS, INC.

2 Saddleback Cove / P.O. Box 1088
Travelers Rest, SC 29690



REG. #A2601
ISO #9001

Model No.

016863-20

Item No.

Travelers Rest, SC: 800-476-4103 Simi Valley, CA: 800-423-0150 Fax: 864-834-3518 www.tsbrass.com

This Space for Architect/Engineer Approval

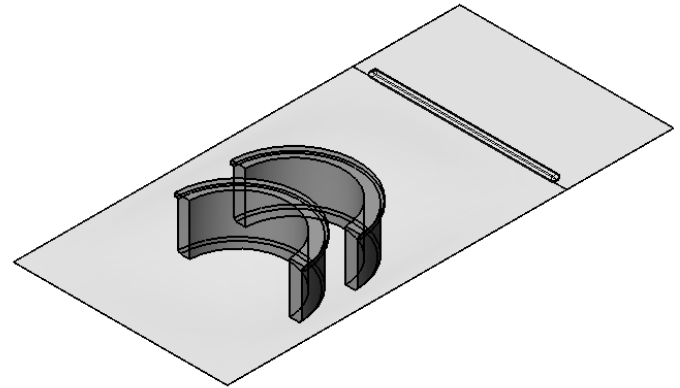
Job Name _____ Date _____

Model Specified _____ Quantity _____

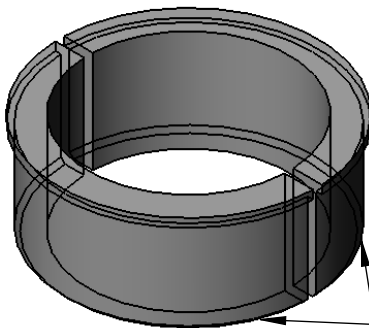
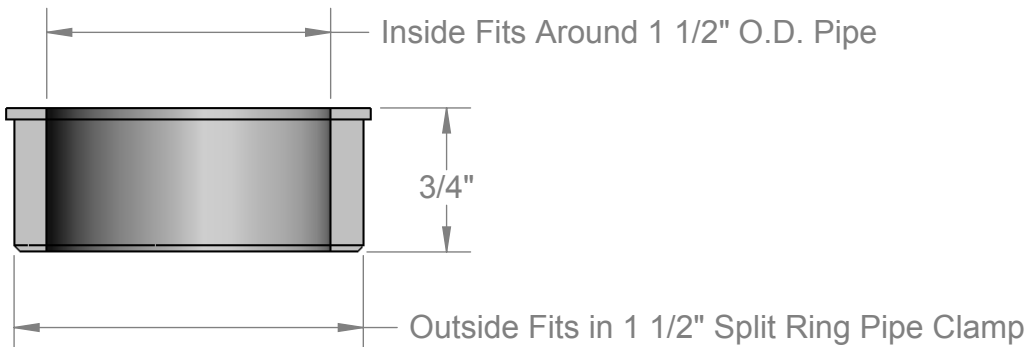
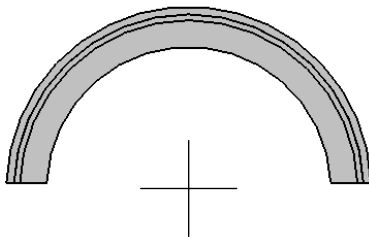
Customer/Wholesaler _____

Contractor _____

Architect/Engineer _____



View Not to Scale



Use (2) Bushings per Clamp
(Furnished as a Set of 2)

Product Specifications:

**PVC Clamp Split Bushing,
Converts 1-1/2" Split Ring Pipe Clamp to Hold
1-1/2" O.D. Pipe**

Drawn GEF	Checked DHL	Approved JHB
Scale: 1:1		Date: 10/18/07