



T&S BRASS AND BRONZE WORKS, INC.

2 Saddleback Cove / P.O. Box 1088
Travelers Rest, SC 29690



REG. #A2601
ISO #9001

Model No.
017208-40

Item No.

Travelers Rest, SC: 800-476-4103 Simi Valley, CA: 800-423-0150 Fax: 864-834-3518 www.tsbrass.com

This Space for Architect/Engineer Approval

Job Name _____ Date _____

Model Specified _____ Quantity _____

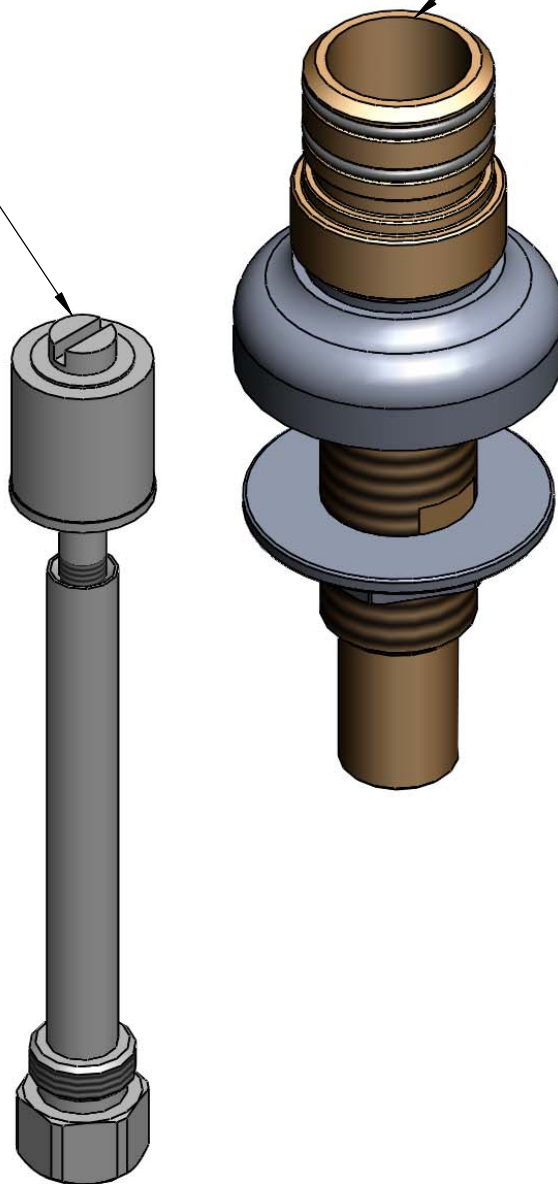
Customer/Wholesaler _____

Contractor _____

Architect/Engineer _____

Center Shank w/
Swivel Deck Flange and
Flange Nut

Diverter and
Extension



Compression Nut
& Fitting

Product Specifications:

**Concealed Widespread EasyInstall
Faucet Diverter Repair Kit**

Drawn
JRM

Checked
GEF

Approved
JHB

Scale:

1:1

Date:

07/21/08