



T&S BRASS AND BRONZE WORKS, INC.  
 2 SADDLEBACK COVE / P.O. BOX 1088 / TRAVELERS REST, SC 29690  
 PHONE 800-476-4103 FAX 864- 834-3518



Model No.

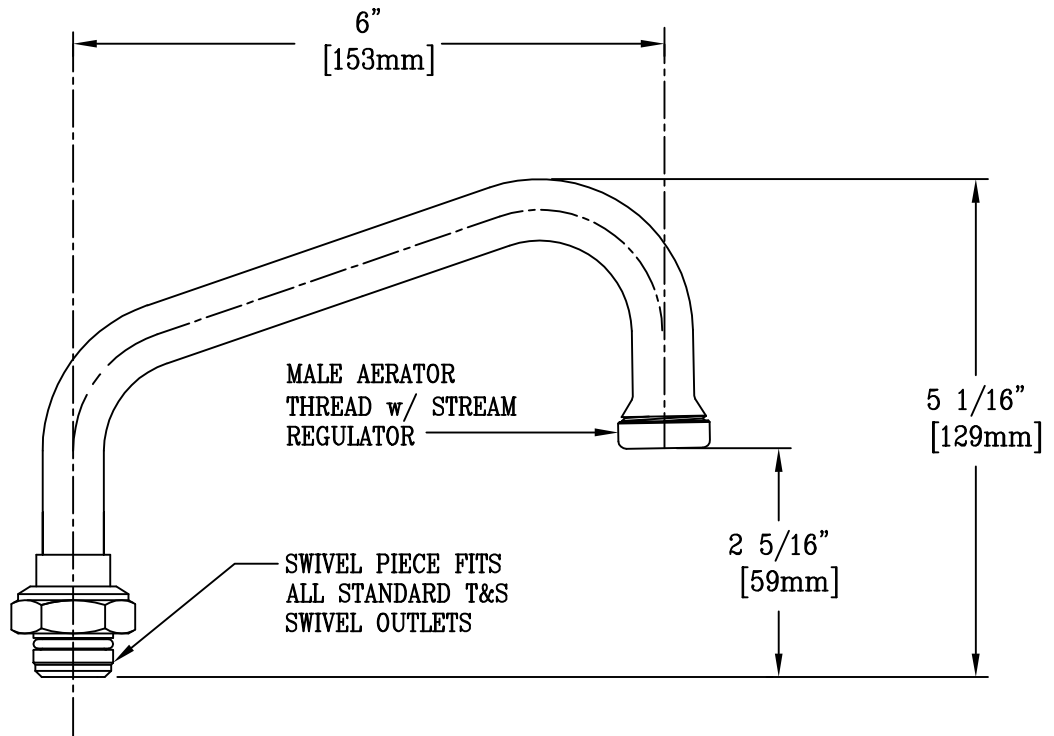
059X

Item No.:

Job Name:

Architect/Engineer Approval:

Notes:



Product Description:

6" SWING NOZZLE ASM w/ STREAM REGULATOR

Drawn:

WJS

Checked

MWR

Scale:

1 : 2

Approved

CA

Date:

1-19-96