



T&S BRASS AND BRONZE WORKS, INC.
 2 SADDLEBACK COVE / P.O. BOX 1088 / TRAVELERS REST, SC 29690
 PHONE 800-476-4103 FAX 864- 834-3518



REG.#A2601
 ISO #9002

Model No.

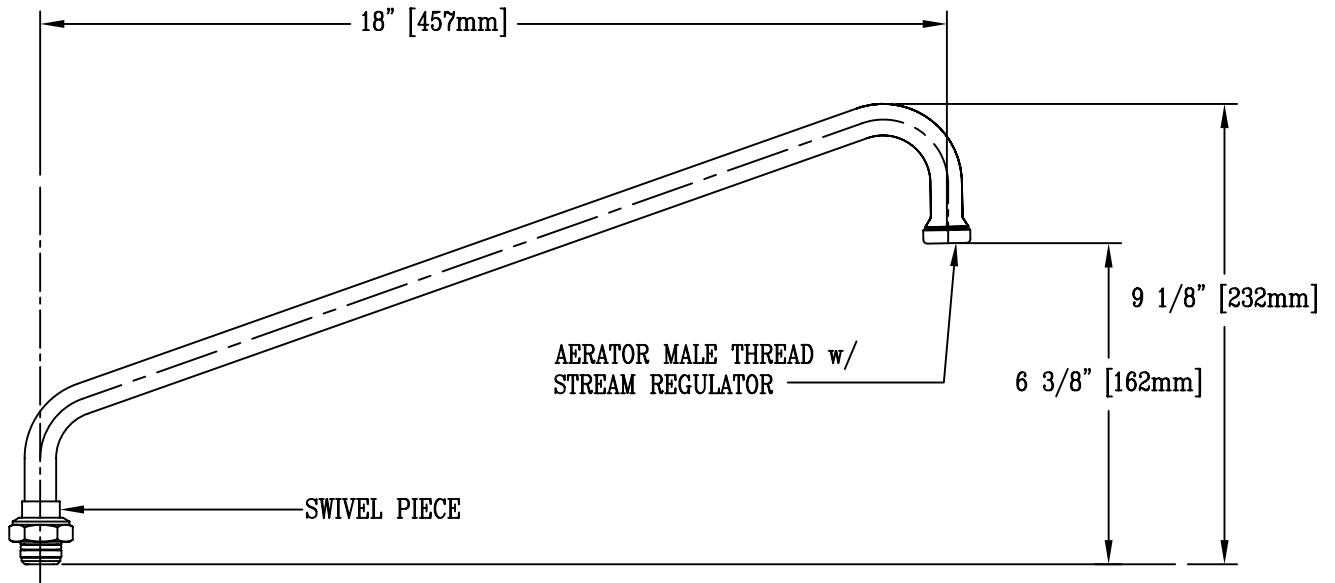
065X-CA

Item No.:

Job Name:

Architect/Engineer Approval:

Notes:



Product Description:

18" SWING NOZZLE w/ STREAM REGULATOR

Drawn:

GEF

Approved

JHB

Checked

ARH

Scale:

1 : 4

Date:

3/26/08