

T&S BRASS AND BRONZE WORKS, INC.

2 SADDLEBACK COVE / P.O. BOX 1088 / TRAVELERS REST, SC 29690

PHONE 800-476-4103

FAX 864- 834-3518



REG.#A2601  
ISO #9002

Sales No.

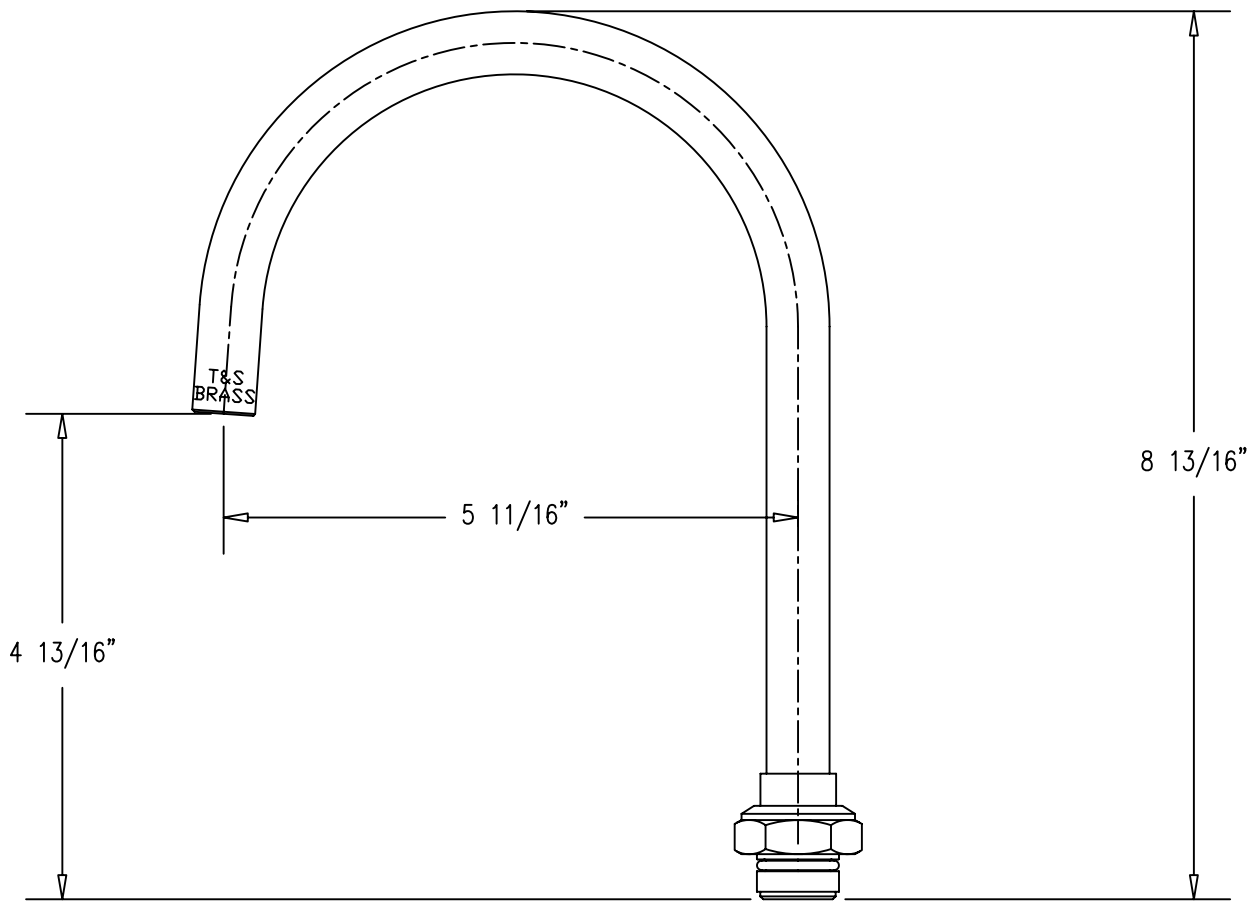
133XP

Item No.:

Job Name:

Architect/Engineer Approval:

Notes:



Product Description:

PLAIN END SWIVEL GOOSENECK

Drawn:

KJG

Checked

ARH

Scale:

1 : 2

Approved

JHB

Date:

10/16/08