



T&S BRASS AND BRONZE WORKS, INC.

2 SADDLEBACK COVE / P.O. BOX 1088 / TRAVELERS REST, SC 29690

PHONE 800-476-4103

FAX 864-834-3518



REG.#A2601
ISO #9002

Sales No.

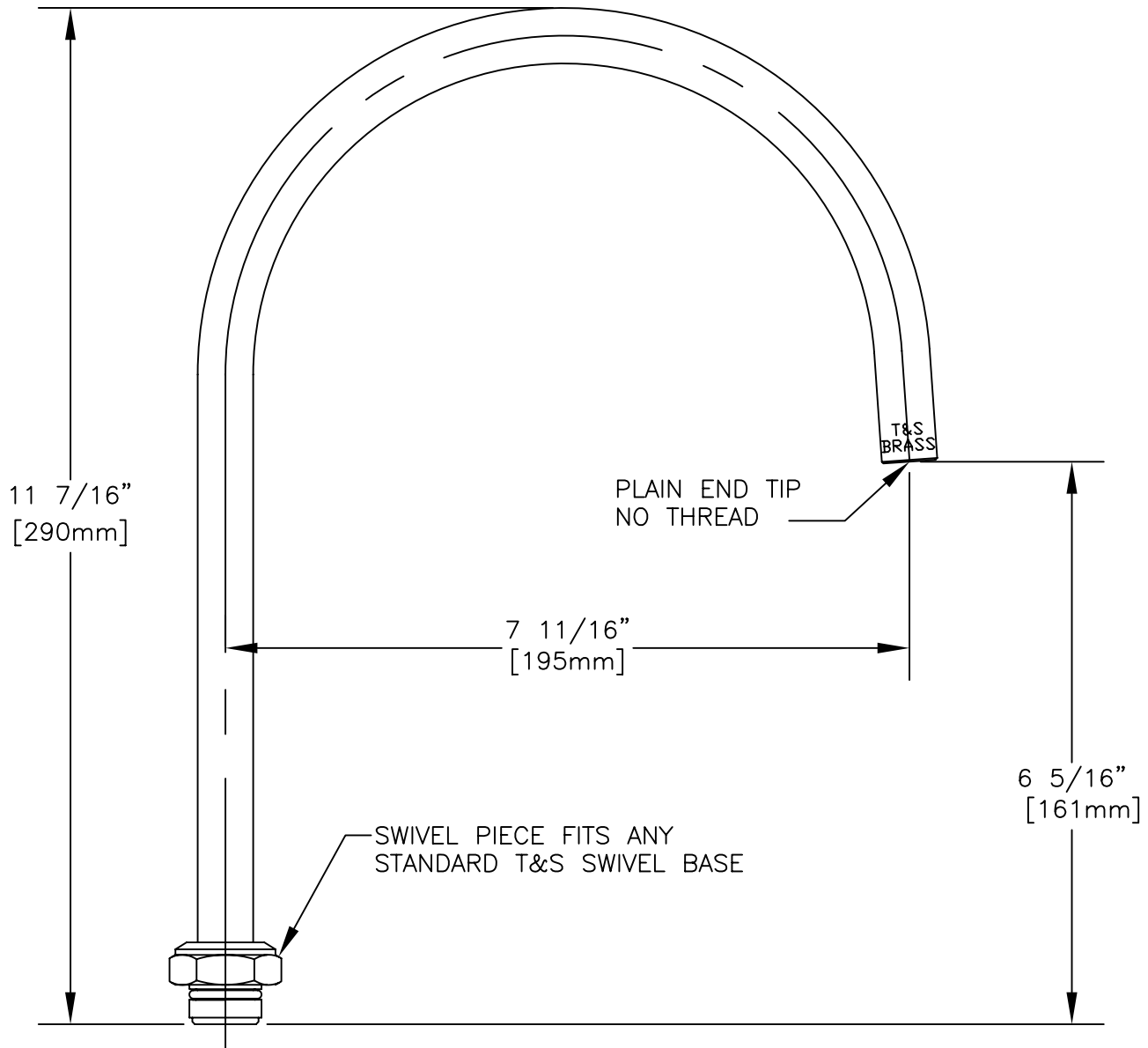
134XP

Item No.:

Job Name:

Architect/Engineer Approval:

Notes:



Product Description:
7-3/4" SWIVEL GOOSENECK ASSEMBLY w/
PLAIN END TIP

Drawn:

KJG

Checked

DHL

Scale:

1:2

Approved

JHB

Date:

11/24/08