



**T&S BRASS AND BRONZE WORKS, INC.**  
 2 SADDLEBACK COVE / P.O. BOX 1088 / TRAVELERS REST, SC 29690  
 PHONE 800-476-4103 FAX 864- 834-3518



Model No.

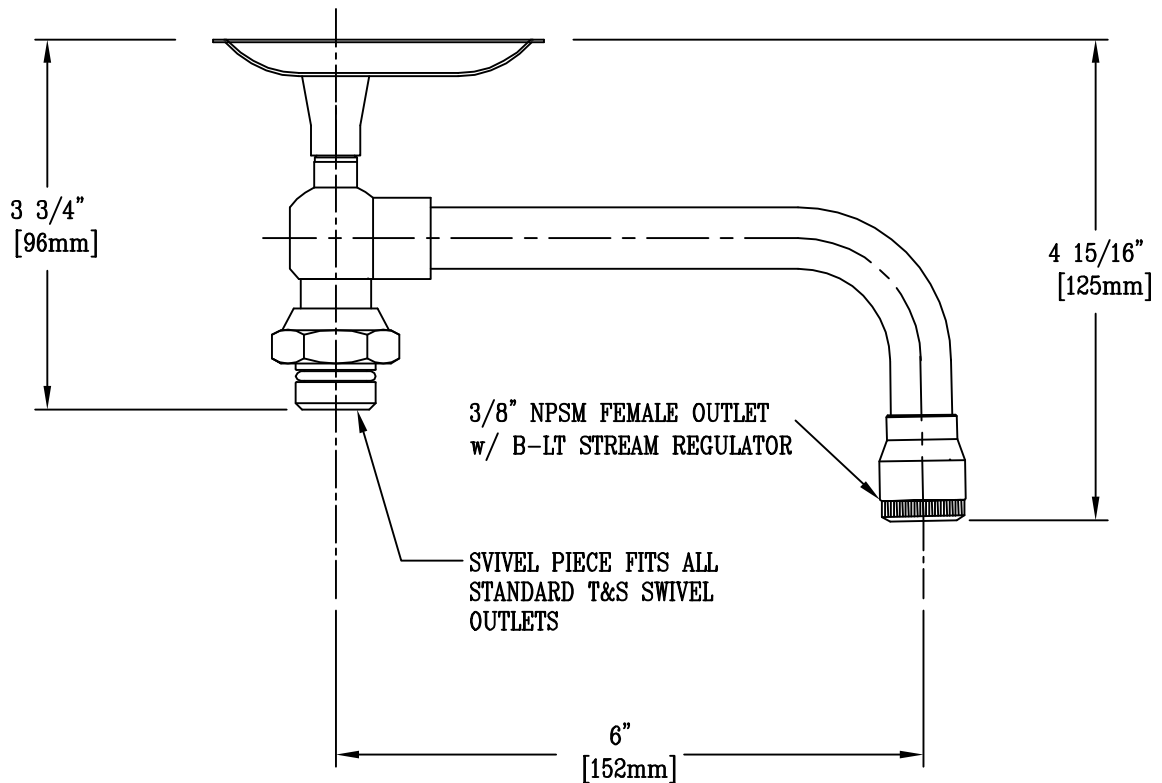
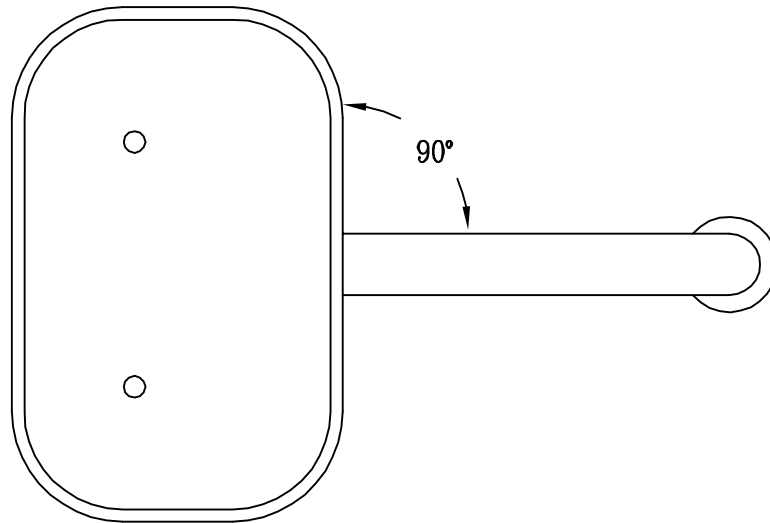
160X

Item No.:

Job Name:

Architect/Engineer Approval:

Notes:



Product Description:

6" SOAP DISH SWING NOZZLE

Drawn:

JHB

Checked

DHL

Scale:

1 : 2

Approved

JHB

Date:

03/17/08