



T&S BRASS AND BRONZE WORKS, INC.
 2 SADDLEBACK COVE / P.O. BOX 1088 / TRAVELERS REST, SC 29690
 PHONE 800-476-4103 FAX 864- 834-3518

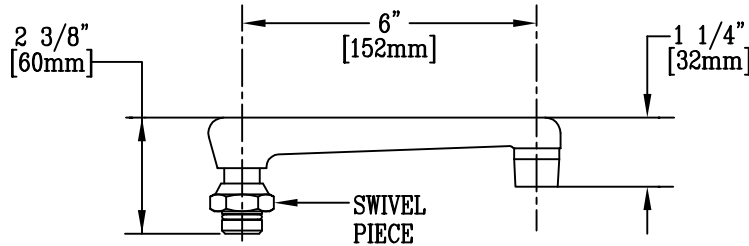


Model No.
 CS-6,166X,TT-1,2
 Item No.:

Job Name: _____ Architect/Engineer Approval: _____

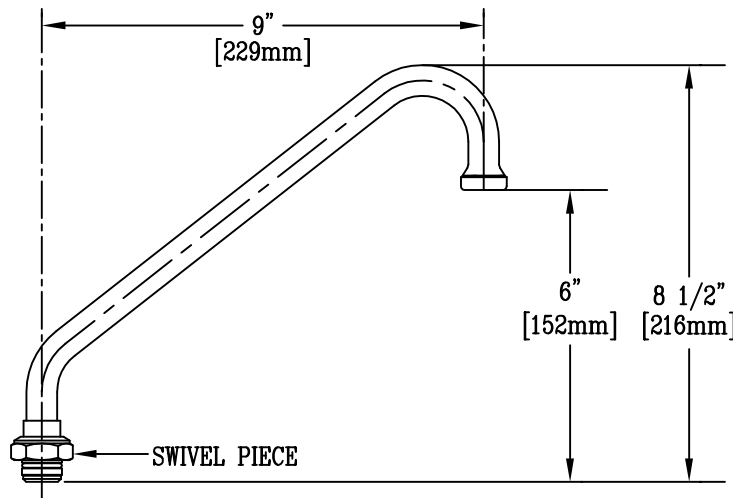
Notes: _____

0CS6



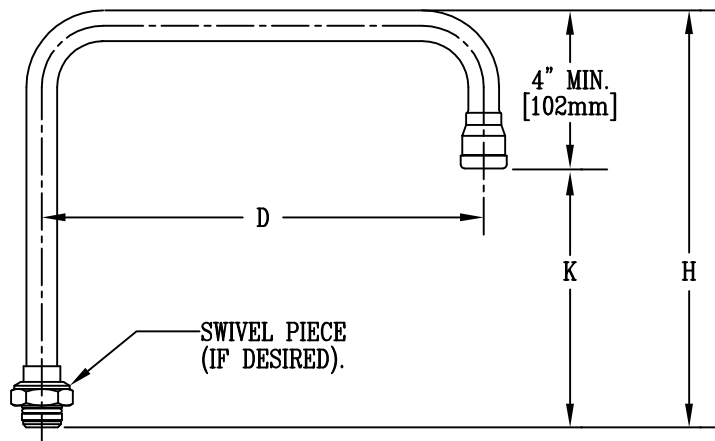
CS-6 CAST NOZZLE WITH
 POLISHED CHROME PLATED
 FINISH & AERATOR

166X



LESS TIP IS MALE
 THREAD FOR AERATOR
 POLISHED CHROME PLATED
 166X 9\"/>

TT-1
 TT-2



SPECIFY D, H, & K DIMENSIONS
 REQUIRED AND IF GOOSENECK
 IS TO BE RIGID OR SWIVEL.

LESS STREAM REGULATOR
 IS 3/8\"/>

TT-1 SWIVEL GOOSENECK
 TT-2 RIGID GOOSENECK
 POLISH CHROME PLATED FINISH

Product Description: MISC. NOZZLES : CS-6 CAST NOZZLE, 166X 9" NOZZLE, AND TT1 & TT2 SPECIAL ORDER GOOSENECK	Drawn:	Checked:	Scale:
	WJS	ARD	3" = 1'
	Approved:	Date:	
CA	2/12/96		