



**T&S BRASS AND BRONZE WORKS, INC.**  
 2 SADDLEBACK COVE / P.O. BOX 1088 / TRAVELERS REST, SC 29690  
 PHONE 800-476-4103 FAX 803- 834-3518



Model No.

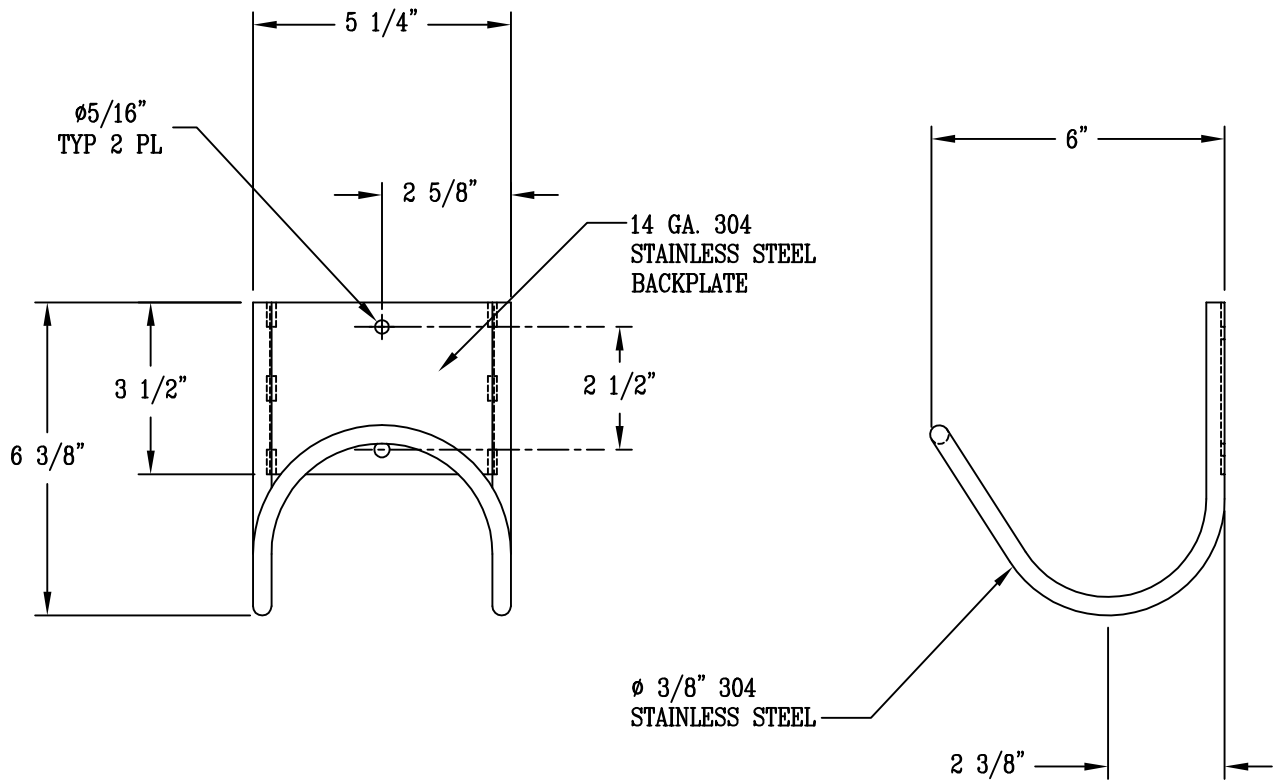
512051-45

Item No.:

Job Name:

Architect/Engineer Approval:

Notes:



Product Description:

STAINLESS STEEL HOSE RACK

Drawn:

WJS

Checked

JKD

Scale:

1:4

Approved

MVW

Date:

5/6/98