

This Space For Architect/Engineer Approval

Job Name \_\_\_\_\_ Date \_\_\_\_\_

Model Specified \_\_\_\_\_ Quantity \_\_\_\_\_

Customer/Wholesaler \_\_\_\_\_

Contractor \_\_\_\_\_

Architect/Engineer \_\_\_\_\_



ADA COMPLIANT

FURNISHED w/ RIGID GOOSENECK AND 2.2 GPM AERATOR. REMOVE LOCK WASHER BELOW SWIVEL PIECE TO CONVERT TO SWIVEL ACTION

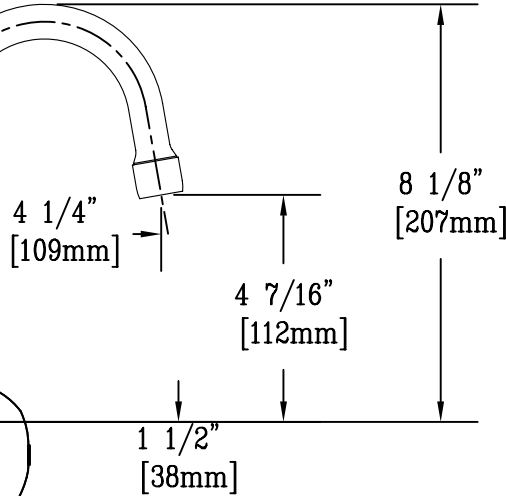
REQUIRES 1" DIA. MOUNTING HOLE

1" [25mm]

FURNISHED w/ SHORT EL. FOR RESTRICTED SPACE INSTALLATIONS

FURNISHED w/ 30" LONG FLEXIBLE ST. STEEL HOSE BETWEEN SHANK & CONTROL MODULE

REMOVEABLE STRAINER



3 5/8" x 4 3/16" x 2" DEEP CONTROL MODULE BOX (WHITE) w/ WATERPROOF CONNECTIONS. AC or DC OPERATED w/ (4) AA BATTERIES

144" LONG POWER CORD w/ 100-135 VAC ADAPTER (REMOVE RUBBER PLUG IN MODULE TO CONNECT)

(2) 18" FLEX. ST. STEEL SUPPLY HOSES: 1/2" NPSM FE. x 3/8" COMPRESSION FEMALE

MIXING FITTING

**NOTE:**  
SUPPLY STOPS BY OTHERS

MODEL NUMBER 5EF-1D-WGAT

DATE 10/20/08

SCALE NTS

DRAWN GEF

CHECKED JRM

APPROVED JHB



equip Foodservice Accessories  
P.O. BOX 1088, 2 SADDLEBACK COVE  
TRAVELERS REST, SOUTH CAROLINA 29690  
PHONE: 800.891.4808 FAX: 800.868.0084

DESCRIPTION

ELECTRONIC FAUCET: WALL MOUNT RIGID GOOSENECK w/ AERATOR, AC-DC CONTROL MODULE, TEMPERATURE CONTROL MIXING VALVE, AND 18" LONG HOT & COLD FLEX SUPPLY STOP HOSES