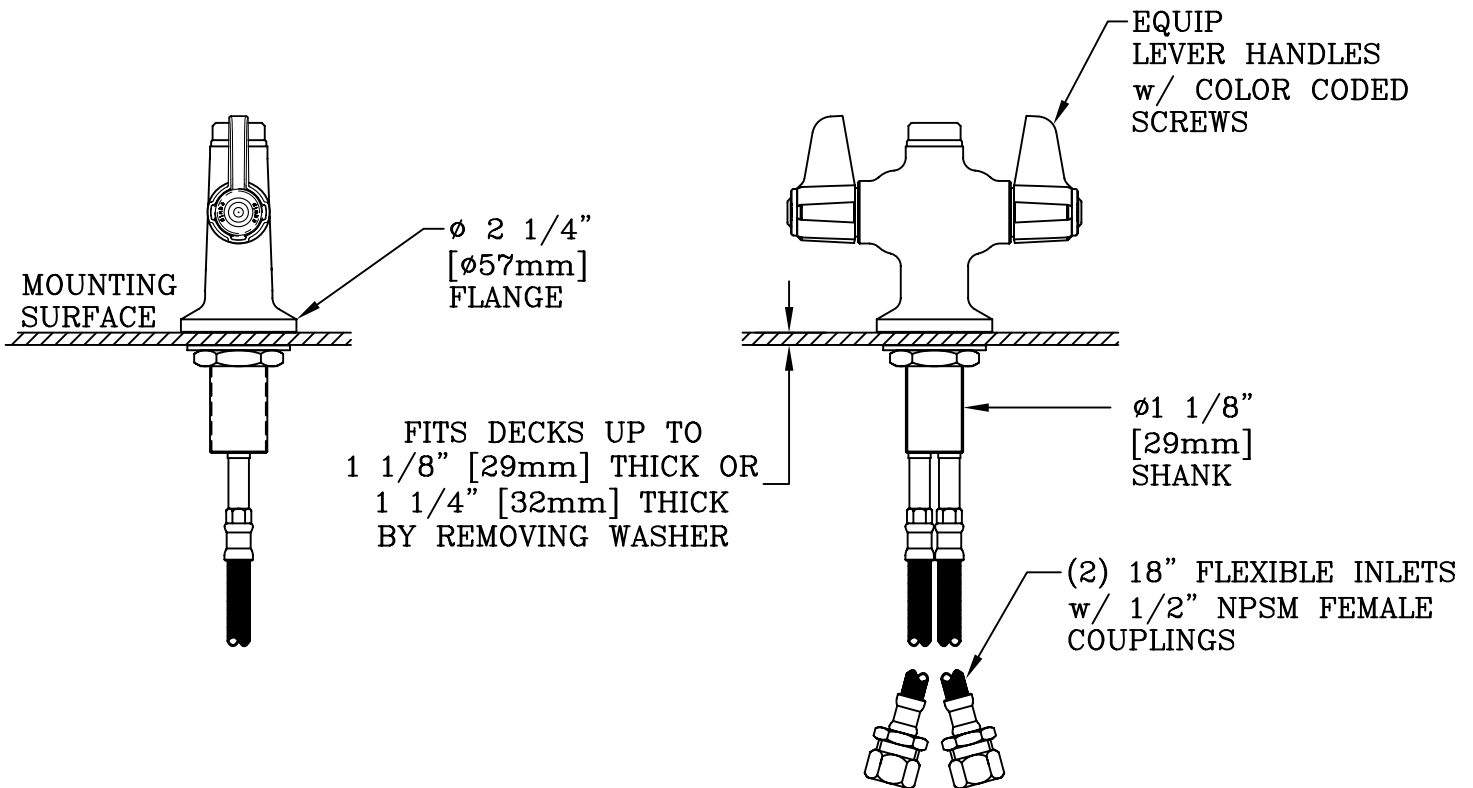


This Space For Architect/Engineer Approval
 Job Name _____ Date _____
 Model Specified _____ Quantity _____
 Customer/Wholesaler _____
 Contractor _____
 Architect/Engineer _____



ADA Compliant



NOTE: ROUGH-IN REQUIREMENTS

ø1 1/2" [ø38mm] HOLE
 ø1 1/4" [ø32mm] MINIMUM

MODEL NUMBER 5F-2SLX00	DATE 12/10/08	SCALE 1:4	DRAWN KJG	CHECKED DHL	APPROVED JHB
---------------------------	------------------	--------------	--------------	----------------	-----------------



DESCRIPTION
**SINGLE HOLE DECK MOUNT
 FAUCET LESS NOZZLE - SWIVEL BASE**

equip Foodservice Accessories
 P.O. BOX 1088, 2 SADDLEBACK COVE
 TRAVELERS REST, SOUTH CAROLINA 29690
 PHONE: 800.891.4808 FAX: 800.868.0084