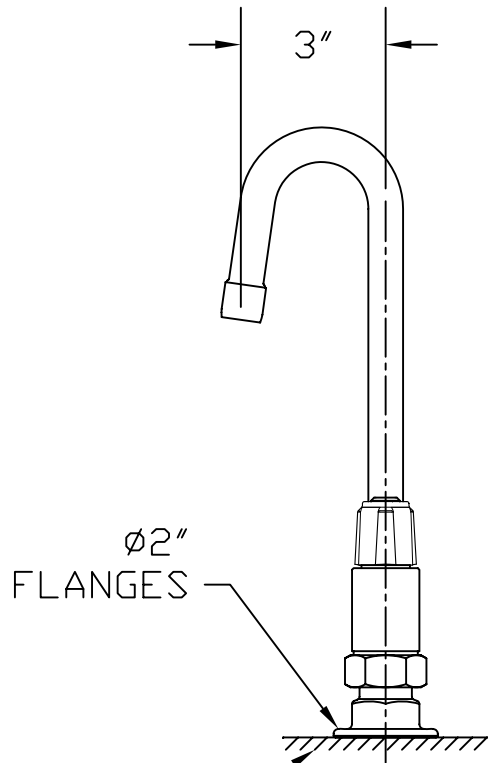
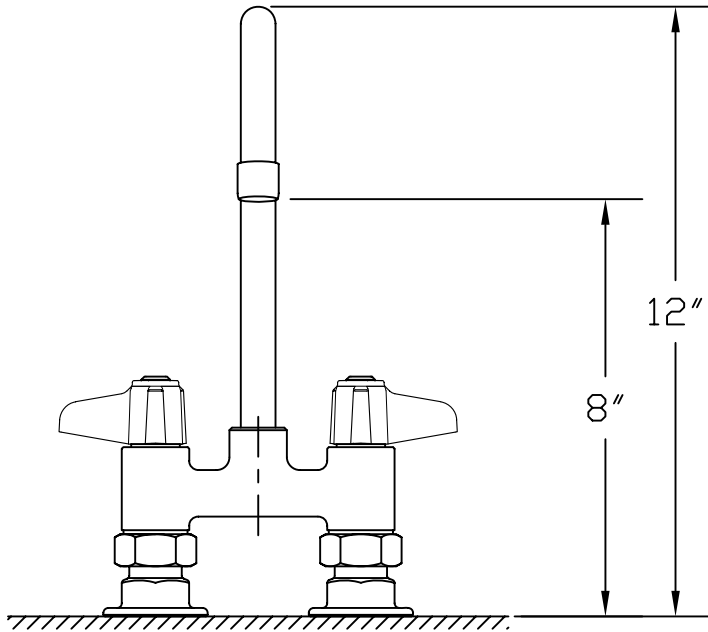


This Space For Architect/Engineer Approval

Job Name _____ Date _____
 Model Specified _____ Quantity _____
 Customer/Wholesaler _____
 Contractor _____
 Architect/Engineer _____



"DECK", REQUIRES
 Ø7/8" HOLES
 ON 4" CENTER

014046-40 INLET KIT
 AVAILABLE SEPARATELY

DIMENSIONS ARE APPROXIMATE

MODEL NUMBER 5F-4DLX03	DATE 3/21/06	SCALE 1:4	DRAWN DHL	CHECKED WJS	APPROVED JHB
---------------------------	-----------------	--------------	--------------	----------------	-----------------



DESCRIPTION

4" DECK MOUNT FAUCET
 WITH 3" RIGID GOOSENECK

equip Foodservice Accessories
 P.O. BOX 1088, 2 SADDLEBACK COVE
 TRAVELERS REST, SOUTH CAROLINA 29690
 PHONE: 800.891.4808 FAX: 800.868.0084