

This Space For Architect/Engineer Approval

Job Name \_\_\_\_\_ Date \_\_\_\_\_

Model Specified \_\_\_\_\_ Quantity \_\_\_\_\_

Customer/Wholesaler \_\_\_\_\_

Contractor \_\_\_\_\_

Architect/Engineer \_\_\_\_\_

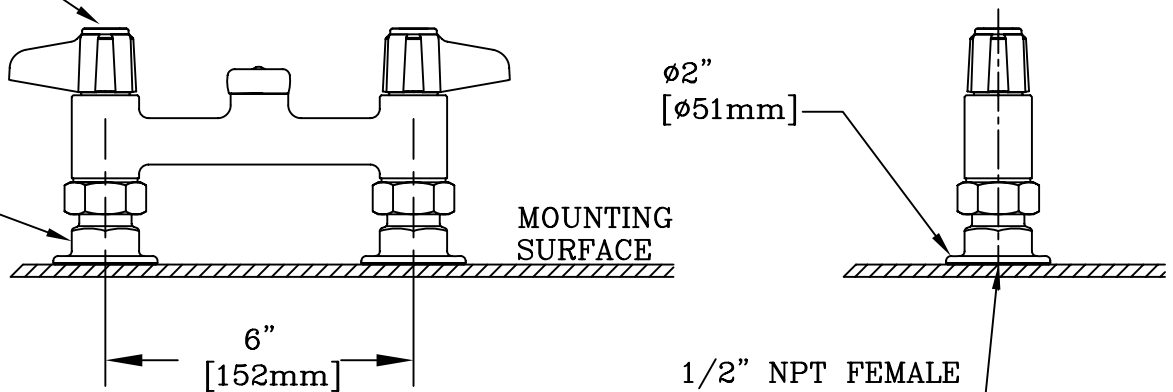


ADA Compliant

EQUIP  
LEVER HANDLES  
w/ COLOR CODED  
SCREWS

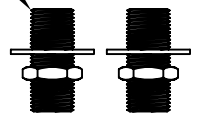
00AA  
COUPLING  
FLANGES

MOUNTING  
SURFACE



1/2" NPT FEMALE  
THREAD INLETS

014046-40  
INLET KIT  
(AVAILABLE UPON  
REQUEST)



NOTE: ROUGH-IN REQUIREMENTS

ø1" [ø25mm] HOLES

6" [152mm] ON CENTER

MODEL NUMBER

5F-6DLX00

DATE

12/10/08

SCALE

1:4

DRAWN

KJG

CHECKED

DHL

APPROVED

JHB



DESCRIPTION

6" Deck Mount Mixing Faucet  
Swivel Base - Less Nozzle

equip Foodservice Accessories  
P.O. BOX 1088, 2 SADDLEBACK COVE  
TRAVELERS REST, SOUTH CAROLINA 29690  
PHONE: 800.891.4808 FAX: 800.868.0084