

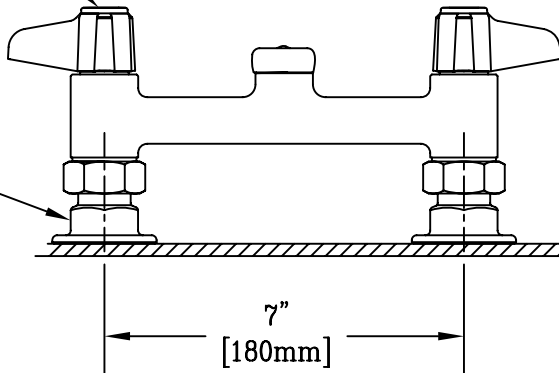
This Space For Architect/Engineer Approval  
 Job Name \_\_\_\_\_ Date \_\_\_\_\_  
 Model Specified \_\_\_\_\_ Quantity \_\_\_\_\_  
 Customer/Wholesaler \_\_\_\_\_  
 Contractor \_\_\_\_\_  
 Architect/Engineer \_\_\_\_\_



ADA Compliant

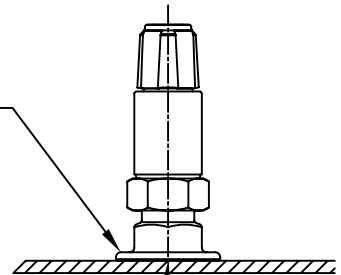
EQUIP  
 LEVER HANDLES  
 w/ COLOR CODED  
 SCREWS

OOAA  
 COUPLING  
 FLANGES



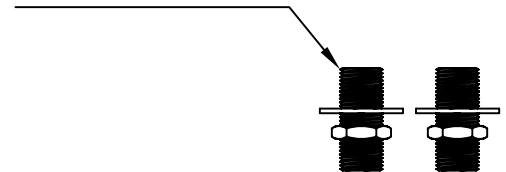
$\phi 2''$   
 $[\phi 51\text{mm}]$

MOUNTING  
 SURFACE



1/2" NPT FEMALE  
 THREAD INLETS

014046-40  
 INLET KIT  
 (AVAILABLE UPON  
 REQUEST)



NOTE: ROUGH-IN REQUIREMENTS  
 $\phi 1''$  [ $\phi 25\text{mm}$ ] HOLES  
 7" [180mm] ON CENTER

MODEL NUMBER	5F-7DLX00	DATE	12/10/08	SCALE	1:4	DRAWN	KJG	CHECKED	DHL	APPROVED	JHB
--------------	-----------	------	----------	-------	-----	-------	-----	---------	-----	----------	-----



DESCRIPTION

180mm c/c Deck Mount Mixing Faucet  
 Swivel Base — Less Nozzle

equip Foodservice Accessories  
 P.O. BOX 1088, 2 SADDLEBACK COVE  
 TRAVELERS REST, SOUTH CAROLINA 29690  
 PHONE: 800.891.4808 FAX: 800.868.0084