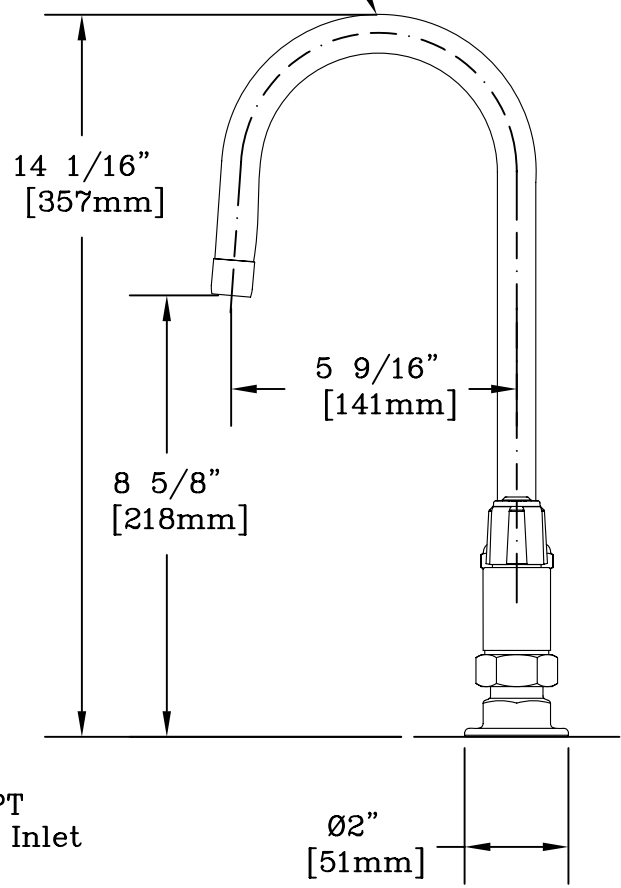
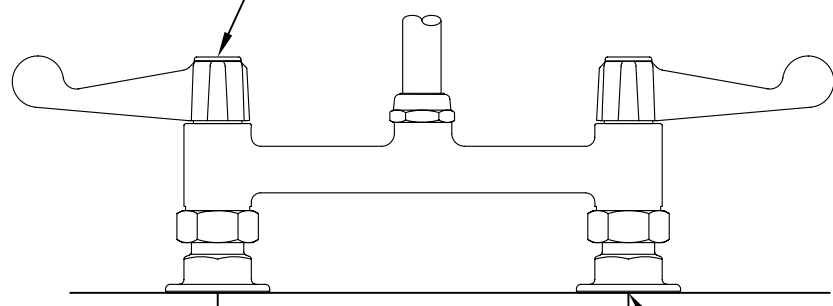


This Space For Architect/Engineer Approval
 Job Name _____ Date _____
 Model Specified _____ Quantity _____
 Customer/Wholesaler _____
 Contractor _____
 Architect/Engineer _____

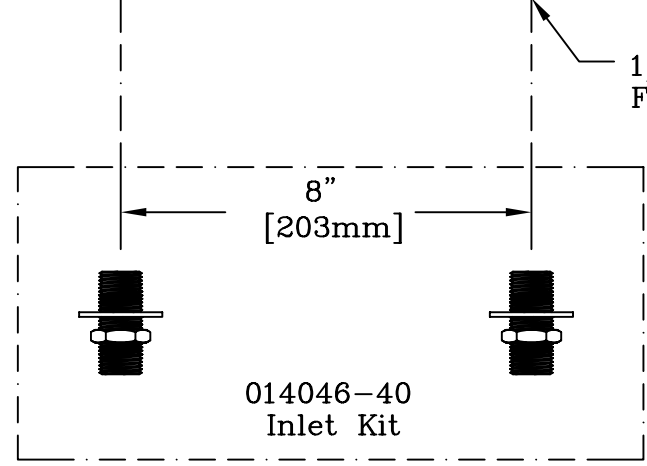
5SP-05
 Gooseneck w/
 3/4-27 Full Flow
 Female Aerator



Wrist Action Handles
 w/ Color Coded Screws



1/2" NPT
 Female Inlet



014046-40
 Inlet Kit

MODEL NUMBER	5F-8DWS05	DATE	08/15/08	SCALE	1:4	DRAWN	DHL	CHECKED	JRM	APPROVED	JHB
--------------	-----------	------	----------	-------	-----	-------	-----	---------	-----	----------	-----



DESCRIPTION
 8" Deck Mount Faucet, 6" Gooseneck,
 Wrist Action Handles & 1/2" NPT
 Inlet Kits

equip Foodservice Accessories
 P.O. BOX 1088, 2 SADDLEBACK COVE
 TRAVELERS REST, SOUTH CAROLINA 29690
 PHONE: 800.891.4808 FAX: 800.868.0084