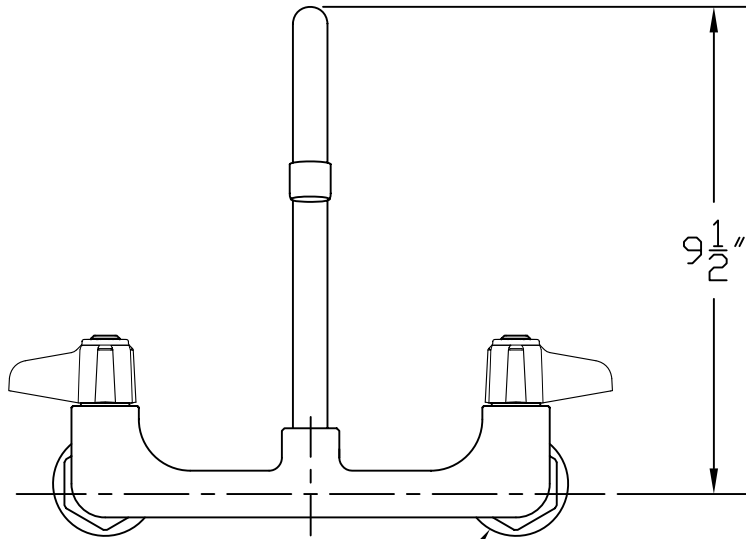
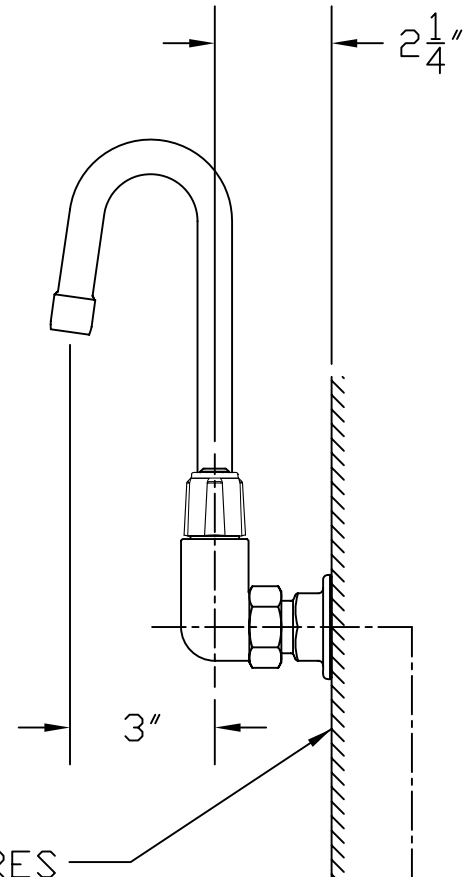


This Space For Architect/Engineer Approval

Job Name _____ Date _____
 Model Specified _____ Quantity _____
 Customer/Wholesaler _____
 Contractor _____
 Architect/Engineer _____



2" FLANGES



"WALL", REQUIRES
 Ø7/8 HOLES
 ON 8" CENTER

014061-40 INLET
 KIT AVAILABLE
 SEPARATELY

DIMENSIONS ARE APPROXIMATE

| | | | | | |
|---------------------------|-----------------|--------------|--------------|----------------|-----------------|
| MODEL NUMBER 5F-8WLX03 | DATE 3/21/06 | SCALE 1:4 | DRAWN DHL | CHECKED WJS | APPROVED JHB |
|---------------------------|-----------------|--------------|--------------|----------------|-----------------|



DESCRIPTION

8" WALL MOUNT FAUCET
 WITH 3" RIGID GOOSENECK

equip Foodservice Accessories
 P.O. BOX 1088, 2 SADDLEBACK COVE
 TRAVELERS REST, SOUTH CAROLINA 29690
 PHONE: 800.891.4808 FAX: 800.868.0084