

This Space For Architect/Engineer Approval

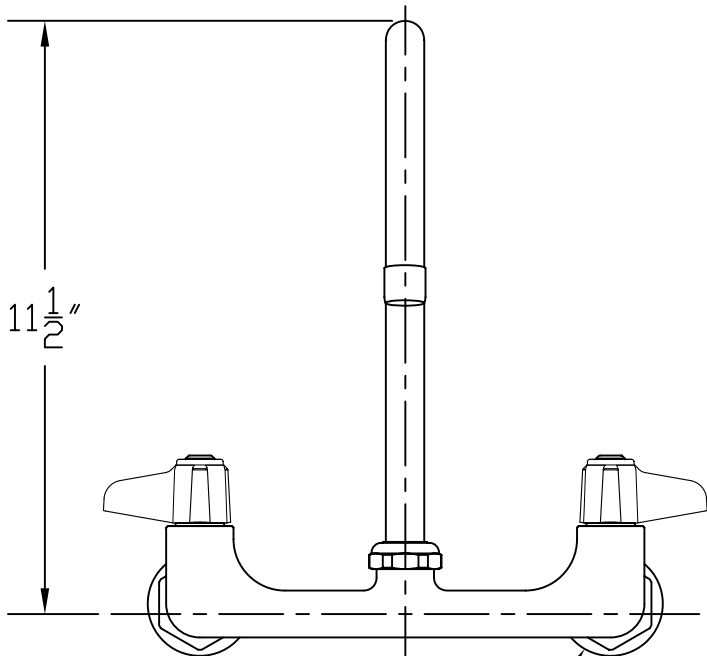
Job Name _____ Date _____

Model Specified _____ Quantity _____

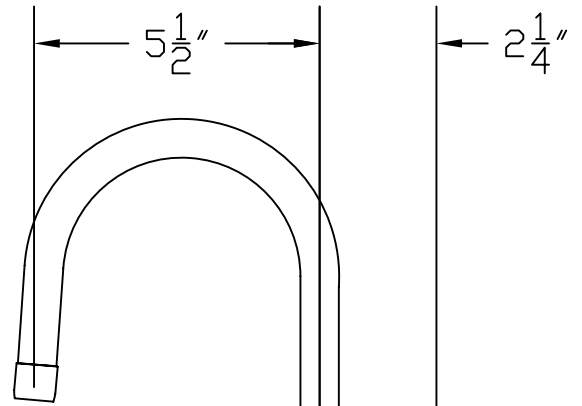
Customer/Wholesaler _____

Contractor _____

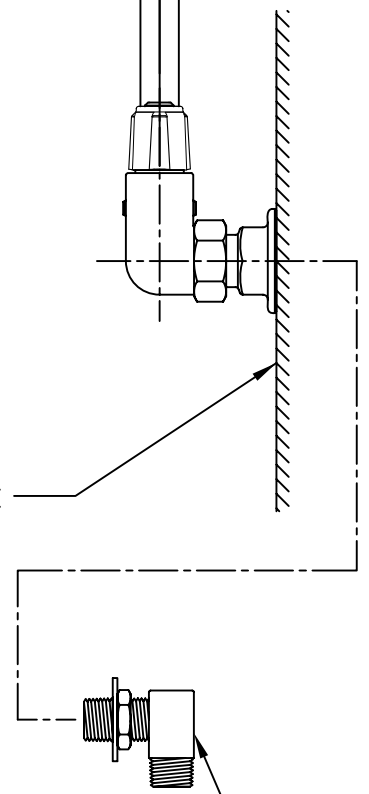
Architect/Engineer _____



2" FLANGES



"WALL", REQUIRES
Ø7/8 HOLES
ON 8" CENTER



014061-40 INLET
KIT AVAILABLE
SEPARATELY

DIMENSIONS ARE APPROXIMATE

MODEL NUMBER 5F-8WLX05

DATE 3/21/06

SCALE 1:4

DRAWN DHL

CHECKED WJS

APPROVED JHB



DESCRIPTION

8" WALL MOUNT FAUCET
WITH 5 1/2" SWIVEL GOOSENECK

equip Foodservice Accessories
P.O. BOX 1088, 2 SADDLEBACK COVE
TRAVELERS REST, SOUTH CAROLINA 29690
PHONE: 800.891.4808 FAX: 800.868.0084