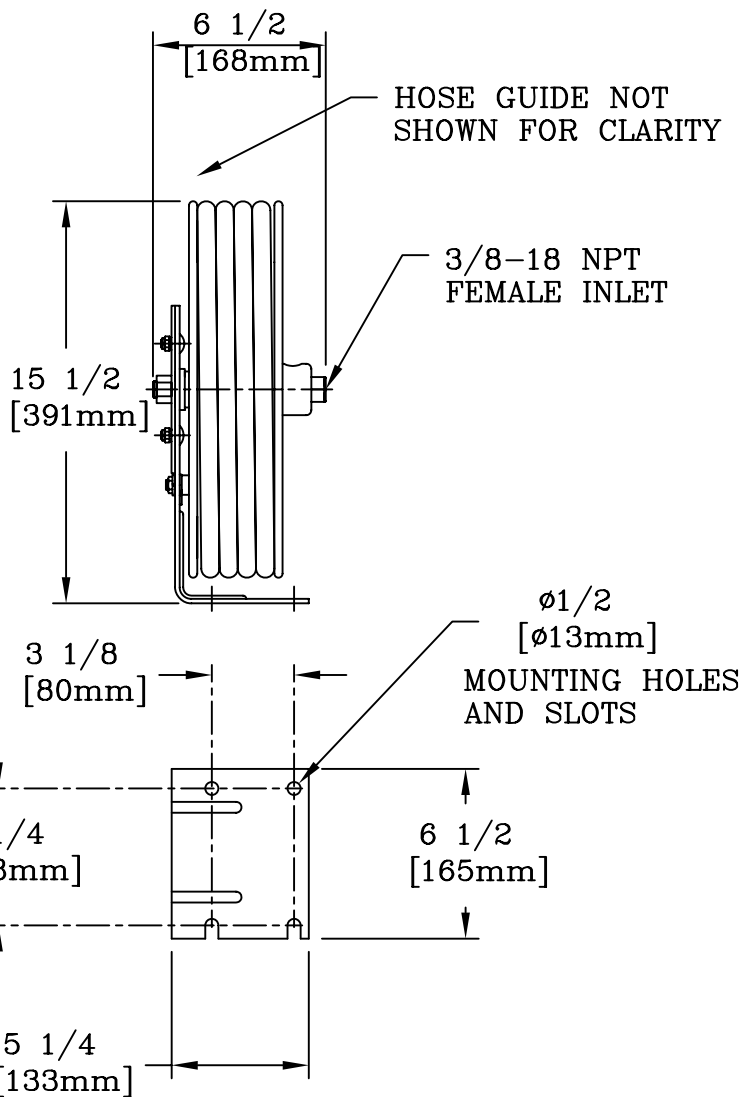
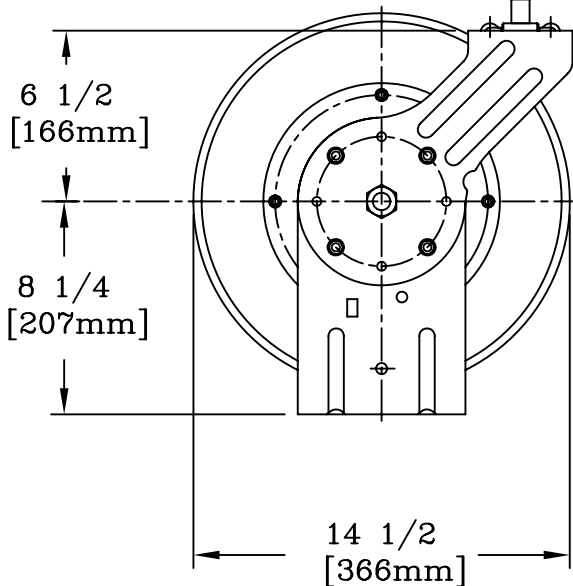


FRONT TRIGGER STAINLESS STEEL  
 SPRAY GUN MODEL MV-2522-24  
 WITH 5/16 ORIFICE

3/8-18 NPT FEMALE x  
 1/2-14 NPT MALE ADPTR



NOTE: HOSE RATINGS ARE AS FOLLOWS:  
 PRESSURE: 300 PSI MAX.  
 TEMPERATURE: 0°-176°F

PRIMARY DIMENSIONS IN INCHES UNLESS SPECIFIED OTHERWISE.

MODEL NUMBER	5HR-232-05	DATE	01/05/09	SCALE	1:8	DRAWING SIZE	A	DRAWN	JRM	CHECKED	DHL	APPROVED	JHB
--------------	------------	------	----------	-------	-----	--------------	---	-------	-----	---------	-----	----------	-----

equip Foodservice Accessories  
 P.O. BOX 1088, 2 SADDLEBACK COVE  
 TRAVELERS REST, SOUTH CAROLINA 29690  
 PHONE: 800.891.4808 FAX: 800.868.0084

DESCRIPTION OPEN HOSE REEL, BLACK POWDER COATED STEEL,  
 WITH 35' OF 3/8" DIA. HOSE AND ST.STL.  
 MODEL MV-2522-24 FRONT TRIGGER SPRAY GUN  
 WITH 5/16 ORIFICE