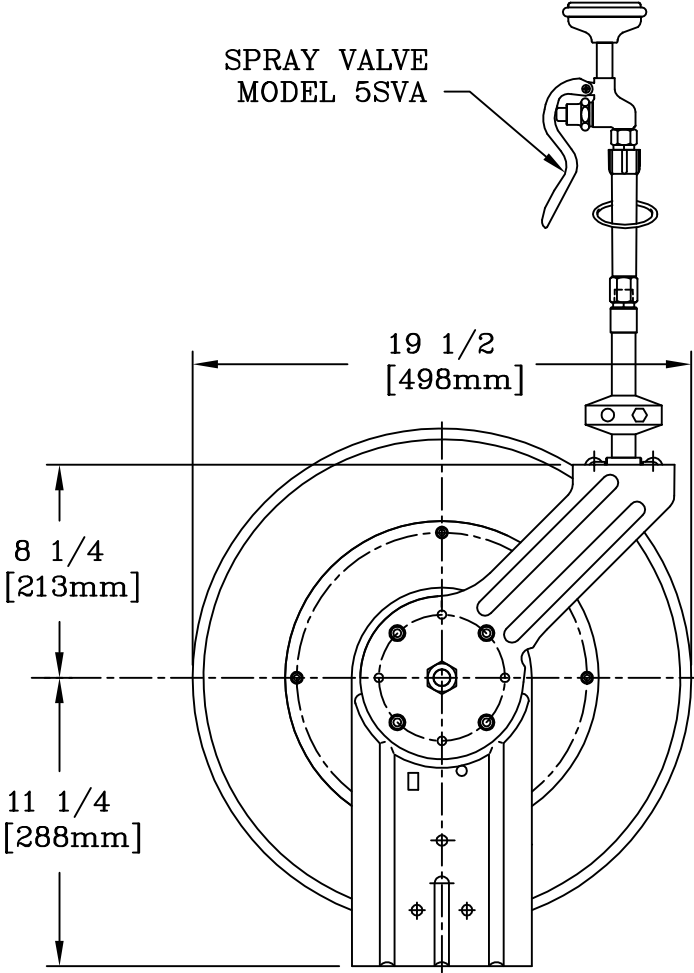
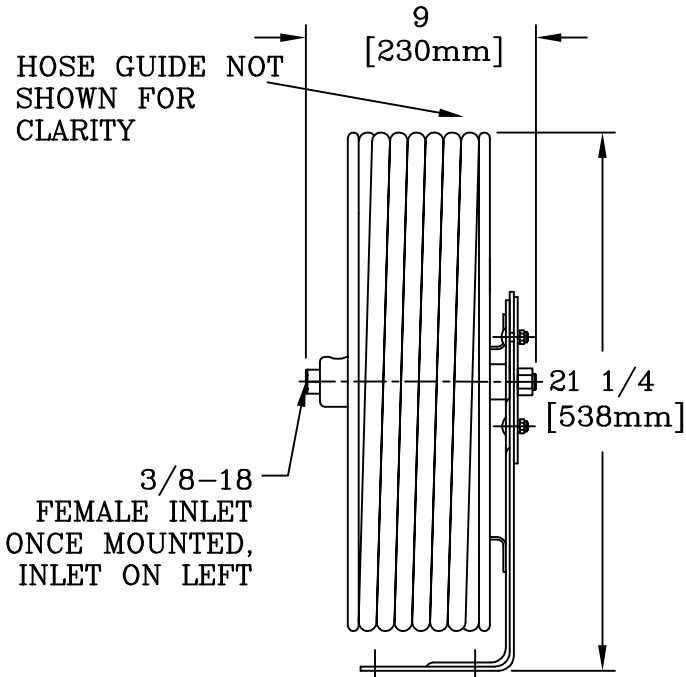
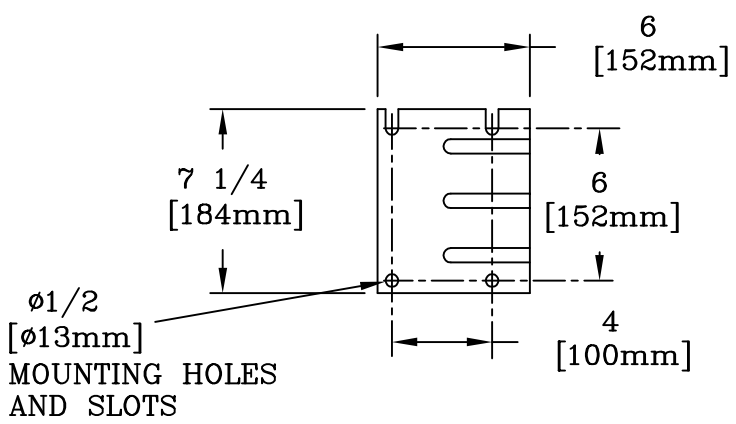


SPRAY VALVE
MODEL 5SVA



NOTE: HOSE RATINGS ARE AS FOLLOWS:
PRESSURE: 300 PSI MAX.
TEMPERATURE: 0°-176°F



PRIMARY DIMENSIONS IN INCHES UNLESS SPECIFIED OTHERWISE.

MODEL NUMBER	5HR-242-01	DATE	07/15/05	SCALE	1:8	DRAWING SIZE	A	DRAWN	JRM	CHECKED	LEL	APPROVED	JHB
--------------	------------	------	----------	-------	-----	--------------	---	-------	-----	---------	-----	----------	-----

equip Foodservice Accessories

REG. #A2601 ISO #9001

P.O. BOX 1088, 2 SADDLEBACK COVE
TRAVELERS REST, SOUTH CAROLINA 29690
PHONE: 800.891.4808 FAX: 800.868.0084

DESCRIPTION OPEN HOSE REEL, POWDER COATED STEEL, WITH 50' OF 3/8" DIA. HOSE AND SPRAY VALVE