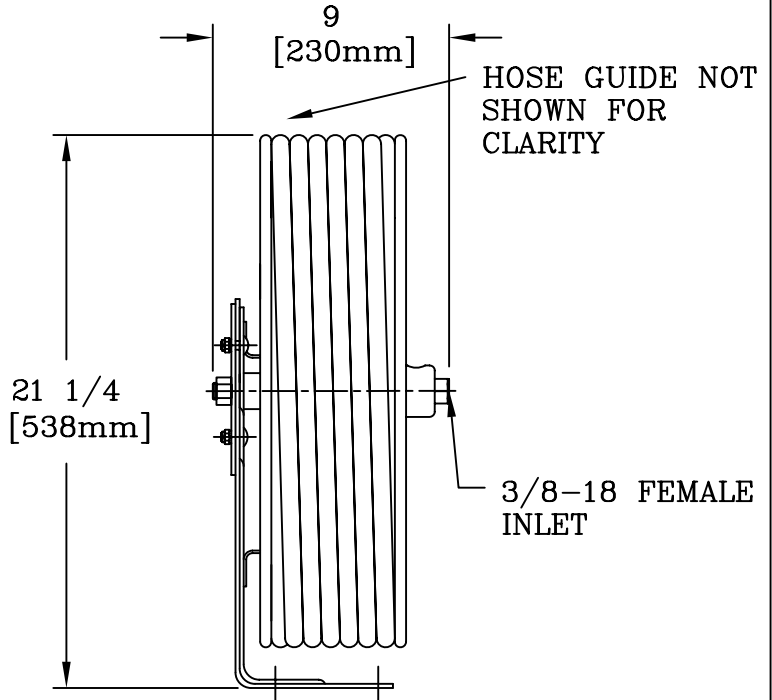
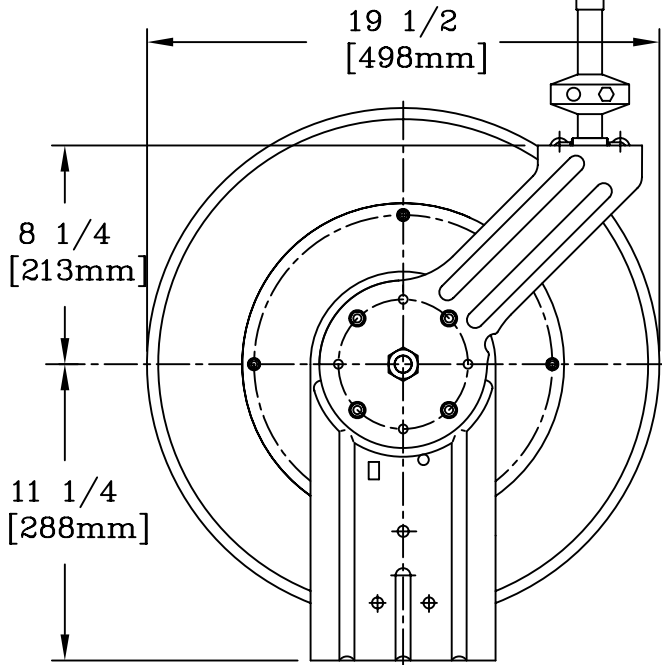


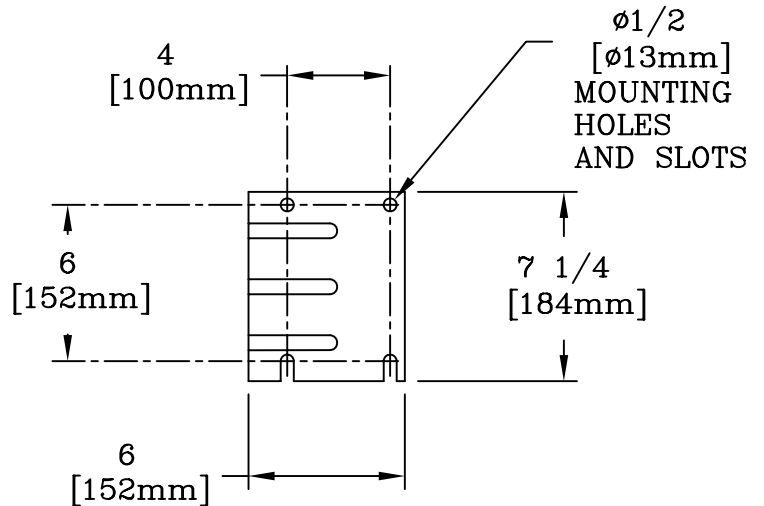
REAR TRIGGER STAINLESS STEEL
 SPRAY GUN MODEL MV-2516-24
 WITH 5/16 ORIFICE



3/8-18 NPT FEMALE x
 1/2-14 NPT MALE ADPTR



NOTE: HOSE RATINGS ARE AS FOLLOWS:
 PRESSURE: 300 PSI MAX.
 TEMPERATURE: 0°-176°F




PRIMARY DIMENSIONS IN INCHES UNLESS
 SPECIFIED OTHERWISE.

MODEL NUMBER	5HR-242-02	DATE	01/05/09	SCALE	1:8	DRAWING SIZE	A	DRAWN	JRM	CHECKED	DHL	APPROVED	JHB
--------------	------------	------	----------	-------	-----	--------------	---	-------	-----	---------	-----	----------	-----



DESCRIPTION OPEN HOSE REEL, BLACK POWDER COATED STEEL,
 WITH 50' OF 3/8" DIA. HOSE AND ST.STL.
 MODEL MV-2516-24 REAR TRIGGER SPRAY GUN
 WITH 5/16 ORIFICE

equip Foodservice Accessories  REG.#A2601
 ISO #9001
 P.O. BOX 1088, 2 SADDLEBACK COVE
 TRAVELERS REST, SOUTH CAROLINA 29690
 PHONE: 800.891.4808 FAX: 800.868.0084