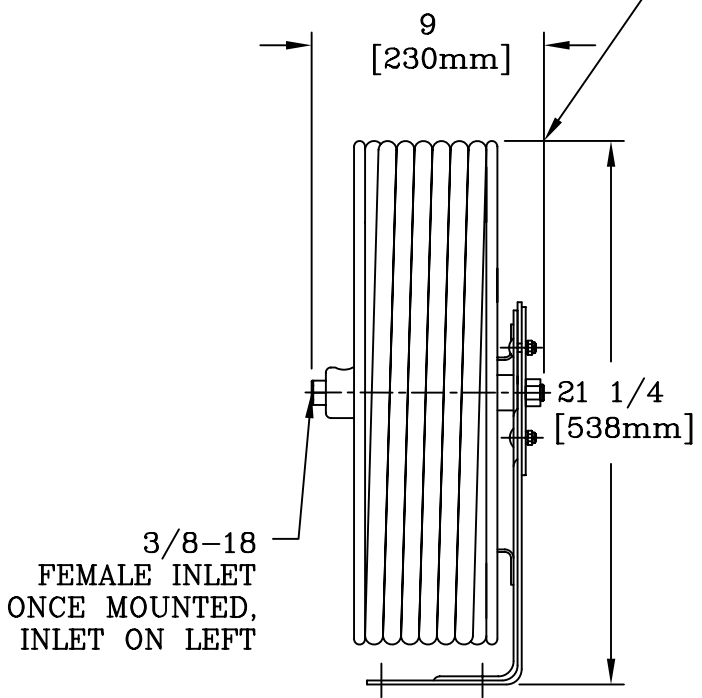
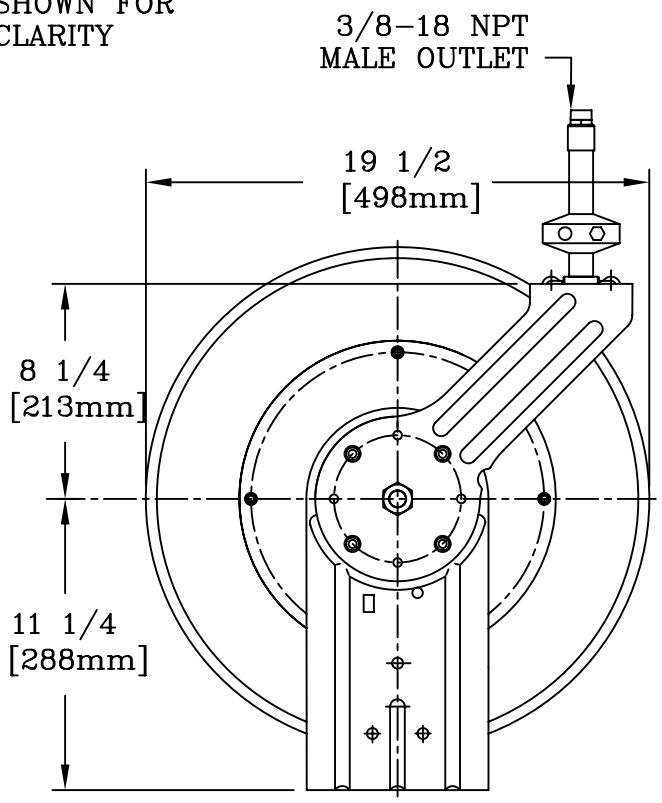


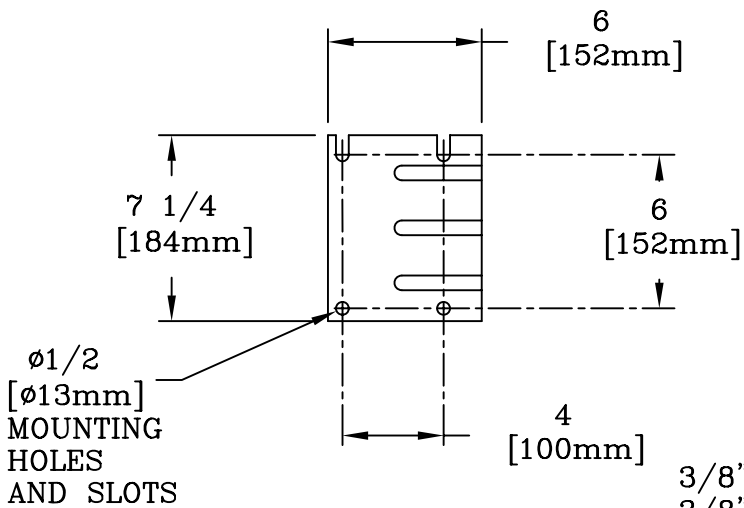
This Space For Architect/Engineer Approval
 Job Name _____ Date _____
 Model Specified _____ Quantity _____
 Customer/Wholesaler _____
 Contractor _____
 Architect/Engineer _____



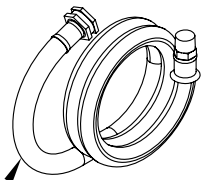
HOSE GUIDE NOT SHOWN FOR CLARITY



NOTE: HOSE RATINGS ARE AS FOLLOWS:
 PRESSURE: 300 PSI MAX.
 TEMPERATURE: 0°-176°F



3/8" x 3' CONNECTOR HOSE
 3/8" NPT MALE x
 3/4"-11.5NH FEMALE



PRIMARY DIMENSIONS IN INCHES UNLESS SPECIFIED OTHERWISE.

MODEL NUMBER 5HR-242-GH	DATE 01/05/09	SCALE 1:8	DRAWN JRM	CHECKED DHL	APPROVED JHB
----------------------------	------------------	--------------	--------------	----------------	-----------------



DESCRIPTION
 OPEN HOSE REEL, BLACK POWDER COATED STEEL, WITH 50' OF 3/8" DIA. HOSE AND 3' BLACK CONNECTOR HOSE w/ GARDEN HOSE END

equip Foodservice Accessories
 P.O. BOX 1088, 2 SADDLEBACK COVE
 TRAVELERS REST, SOUTH CAROLINA 29690
 PHONE: 800.891.4808 FAX: 800.868.0084