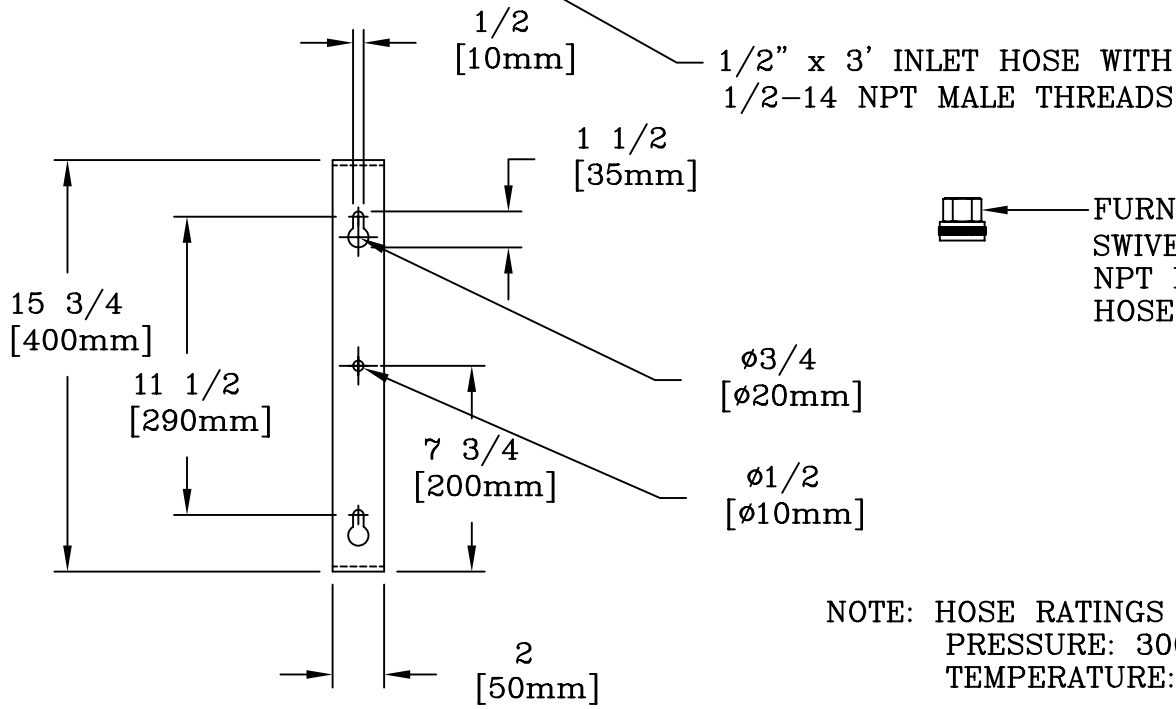
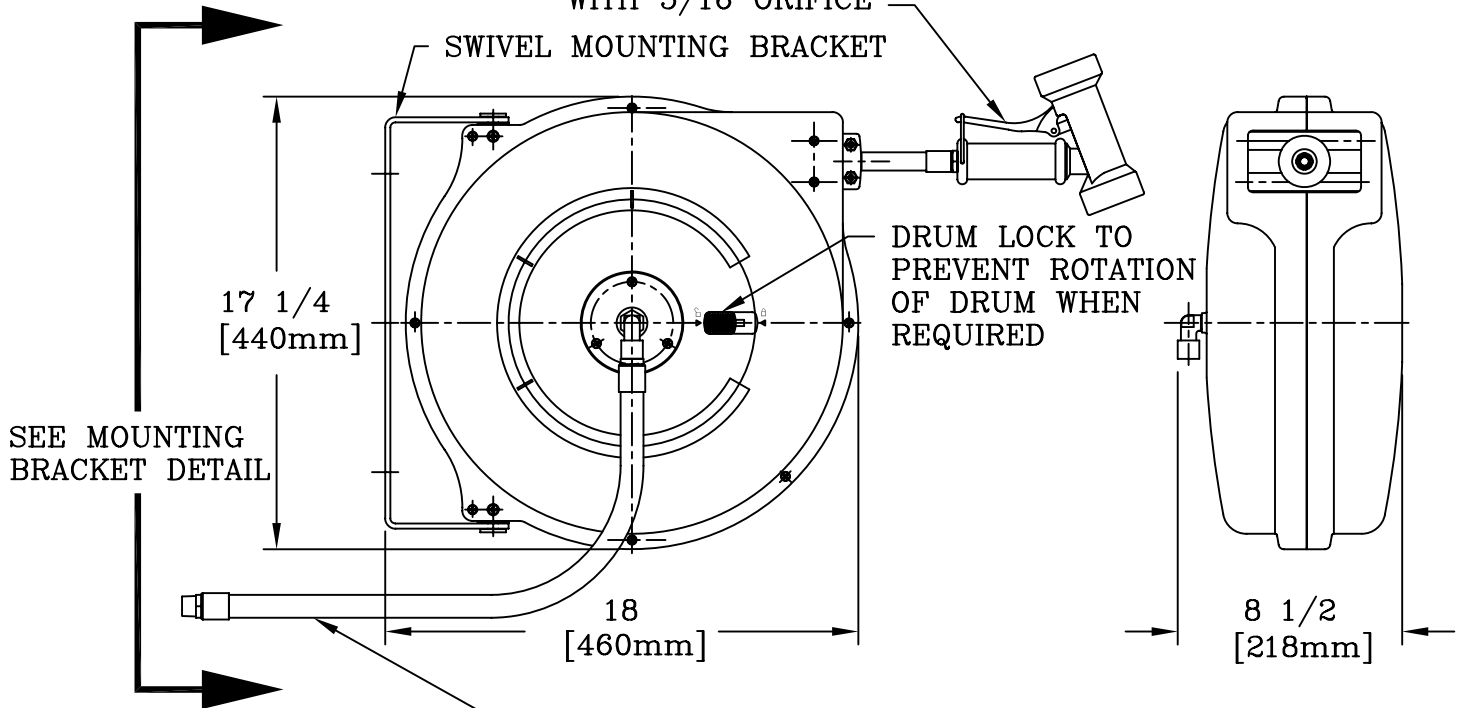


MODEL MV-2516-24 ST.STL.  
 REAR TRIGGER SPRAY GUN  
 WITH 5/16 ORIFICE



FURNISHED WITH 360°  
 SWIVEL CONNECTOR: 1/2"  
 NPT FEMALE x GARDEN  
 HOSE FEMALE

NOTE: HOSE RATINGS ARE AS FOLLOWS:  
 PRESSURE: 300 PSI MAX.  
 TEMPERATURE: 0°-158°F

MOUNTING BRACKET DETAIL  
 BRACKET SHIPPED DISASSEMBLED FROM REEL

MODEL NUMBER	5HR-343-02	DATE	01/05/09	SCALE	1:8	DRAWING SIZE	A	DRAWN	JRM	CHECKED	DHL	APPROVED	JHB
--------------	------------	------	----------	-------	-----	--------------	---	-------	-----	---------	-----	----------	-----

equip Foodservice Accessories  
 P.O. BOX 1088, 2 SADDLEBACK COVE  
 TRAVELERS REST, SOUTH CAROLINA 29690  
 PHONE: 800.891.4808 FAX: 800.868.0084

DESCRIPTION ENCLOSED HOSE REEL, PLASTIC (BLUE), WITH 50' OF 1/2" DIA. HOSE AND ST. STL. MODEL MV-2516-24 REAR TRIGGER SPRAY GUN WITH 5/16 ORIFICE. FURNISHED w/ GARDEN HOSE ADAPTER FOR OPTIONAL CONNECTION TO GARDEN HOSE THREADED HOSE BIBBS