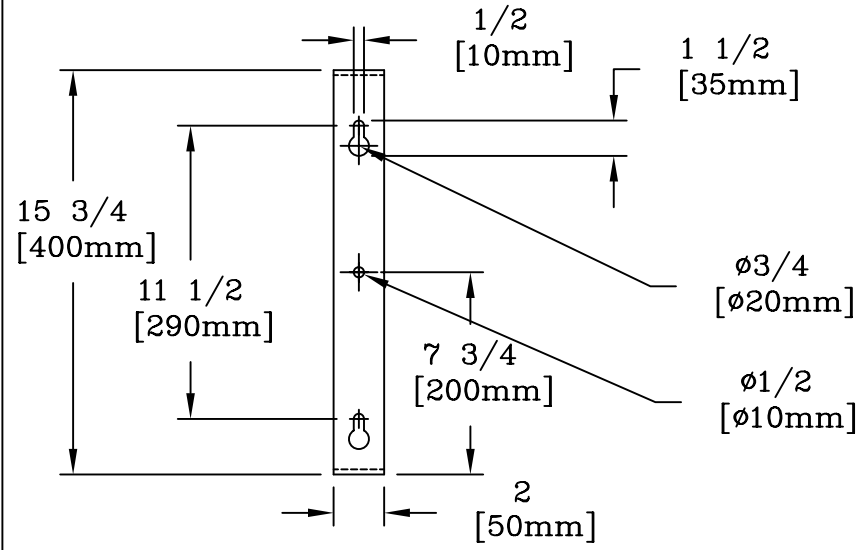
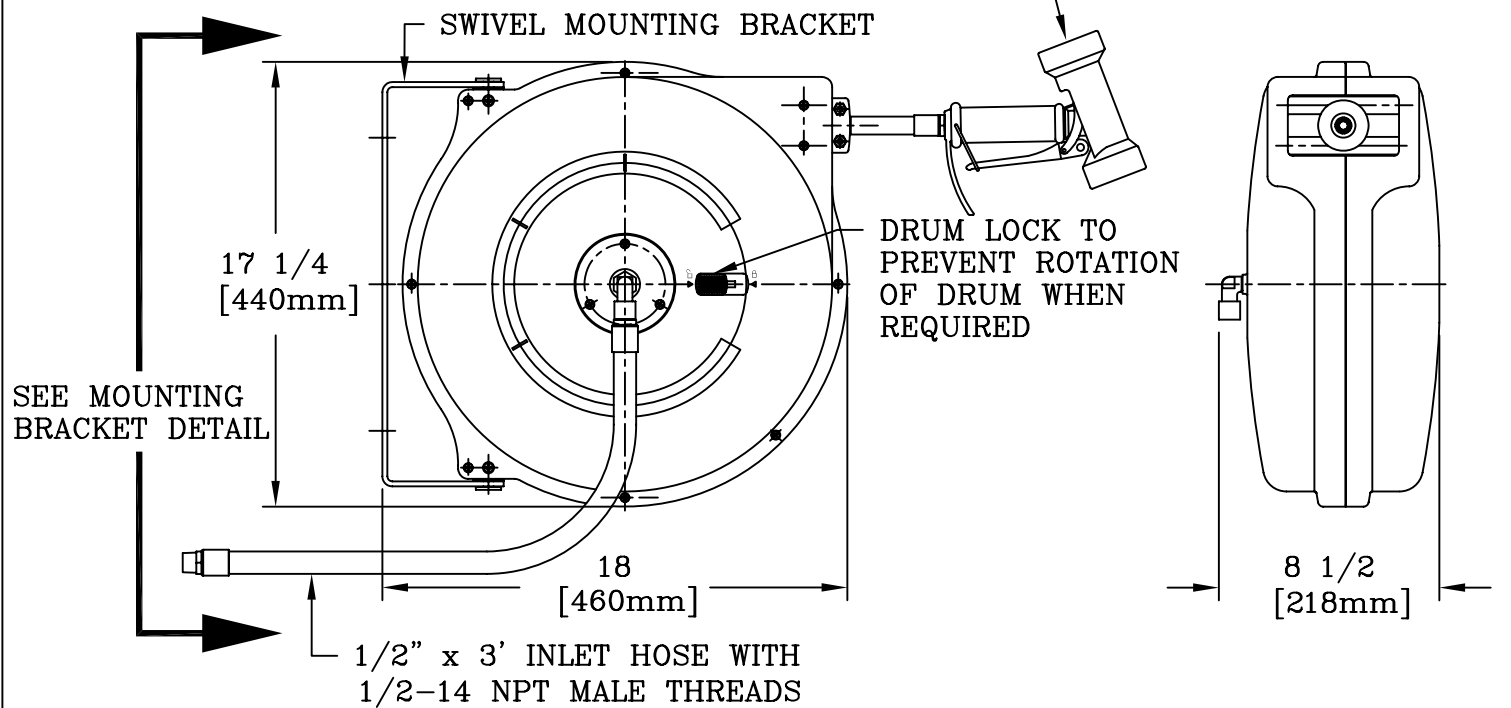


This Space For Architect/Engineer Approval
 Job Name _____ Date _____
 Model Specified _____ Quantity _____
 Customer/Wholesaler _____
 Contractor _____
 Architect/Engineer _____



FURNISHED WITH 360° SWIVEL CONNECTOR: 1/2" NPT FEMALE x GARDEN HOSE FEMALE

NOTE: HOSE RATINGS ARE AS FOLLOWS:
 PRESSURE: 300 PSI MAX.
 TEMPERATURE: 0°-158°F

MOUNTING BRACKET DETAIL
 BRACKET DISASSEMBLED FROM REEL

MODEL NUMBER	5HR-343-05	DATE	01/05/09	SCALE	1:8	DRAWN	JRM	CHECKED	DHL	APPROVED	JHB
--------------	------------	------	----------	-------	-----	-------	-----	---------	-----	----------	-----



DESCRIPTION

ENCLOSED HOSE REEL, PLASTIC (BLUE), w/ 50' OF 1/2" DIA HOSE AND ST. STL. MODEL MV-2522-24 FRONT TRIGGER SPRAY GUN w/ 5/16" ORIFICE FURNISHED w/ GARDEN HOSE ADAPTER FOR OPTIONAL ONNECTION TO GARDEN HOSE THREADED BIBBS

equip Foodservice Accessories
 P.O. BOX 1088, 2 SADDLEBACK COVE
 TRAVELERS REST, SOUTH CAROLINA 29690
 PHONE: 800.891.4808 FAX: 800.868.0084