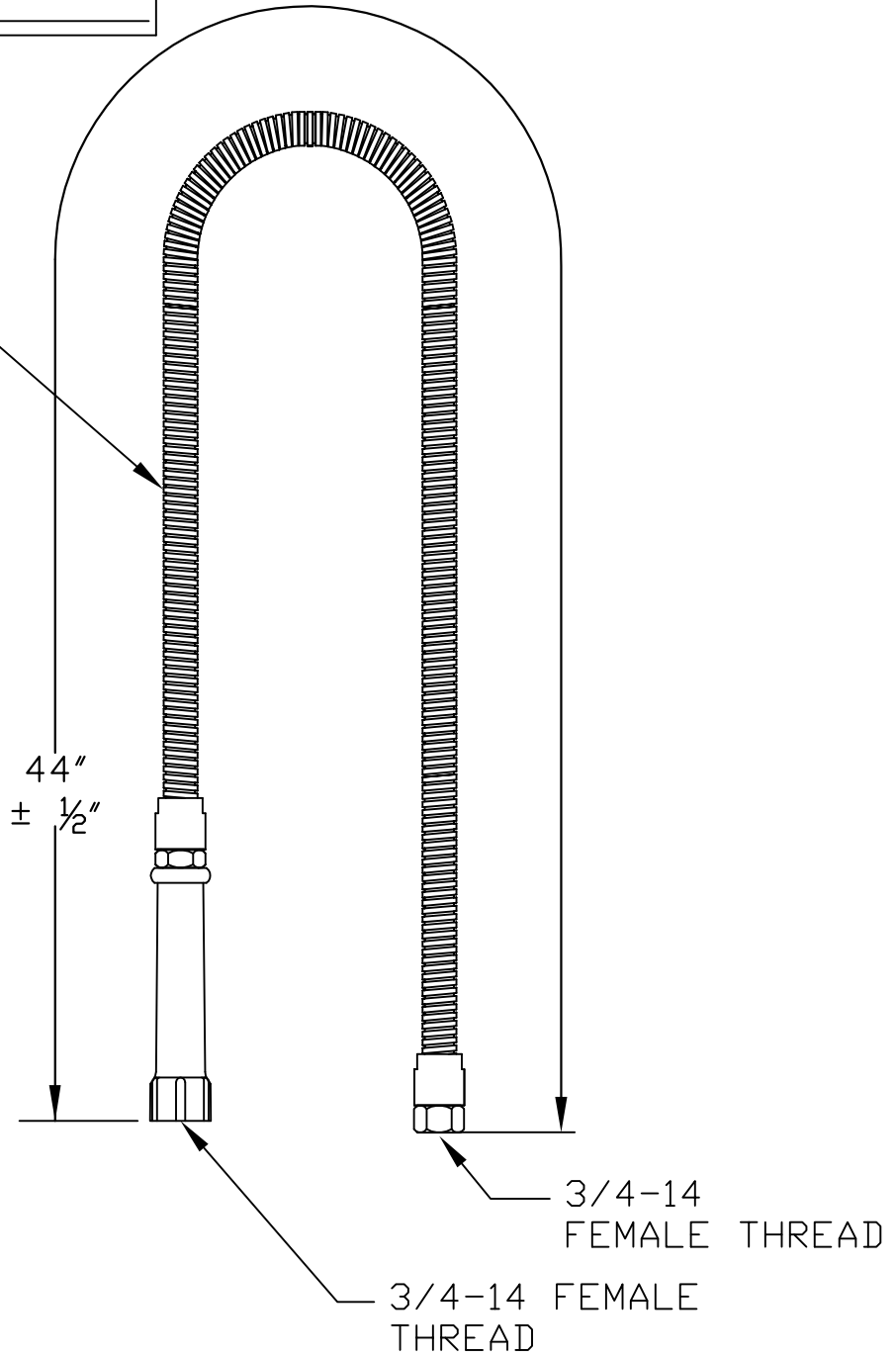


This Space For Architect/Engineer Approval
 Job Name _____ Date _____
 Model Specified _____ Quantity _____
 Customer/Wholesaler _____
 Contractor _____
 Architect/Engineer _____

STAINLESS STEEL
 OUTER COVERING,
 RUBBER INNER HOSE



MODEL NUMBER 5HSE44

DATE 5/5/06

SCALE 1:4

DRAWN WJS

CHECKED JRM

APPROVED JHB



DESCRIPTION

44" HOSE ASSEMBLY FOR PRE-RINSE UNIT

equip Foodservice Accessories
 P.O. BOX 1088, 2 SADDLEBACK COVE
 TRAVELERS REST, SOUTH CAROLINA 29690
 PHONE: 800.891.4808 FAX: 800.868.0084