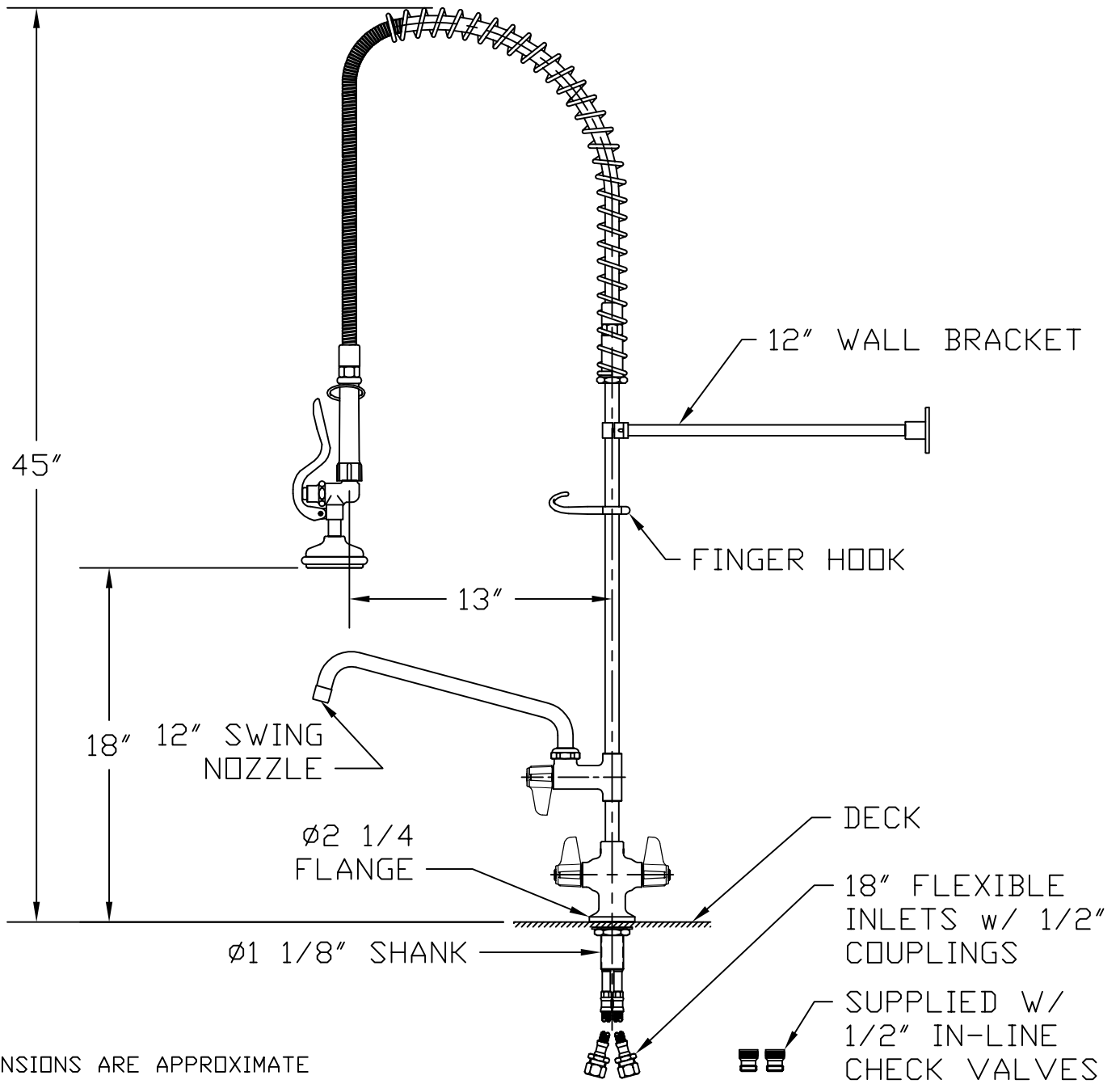


This Space For Architect/Engineer Approval
 Job Name _____ Date _____
 Model Specified _____ Quantity _____
 Customer/Wholesaler _____
 Contractor _____
 Architect/Engineer _____



DIMENSIONS ARE APPROXIMATE

MODEL NUMBER SPR-2S12-12WB	DATE 5/31/06	SCALE 1:8	DRAWN WJS	CHECKED GEF	APPROVED JHB
-------------------------------	-----------------	--------------	--------------	----------------	-----------------



DESCRIPTION

SINGLE HOLE DECK MOUNT PRU
 w/ 12" SWING NOZZLE ADD-ON FAUCET
 AND 12" WALL BRACKET

equip Foodservice Accessories
 P.O. BOX 1088, 2 SADDLEBACK COVE
 TRAVELERS REST, SOUTH CAROLINA 29690
 PHONE: 800.891.4808 FAX: 800.868.0084