

This Space For Architect/Engineer Approval

Job Name _____ Date _____

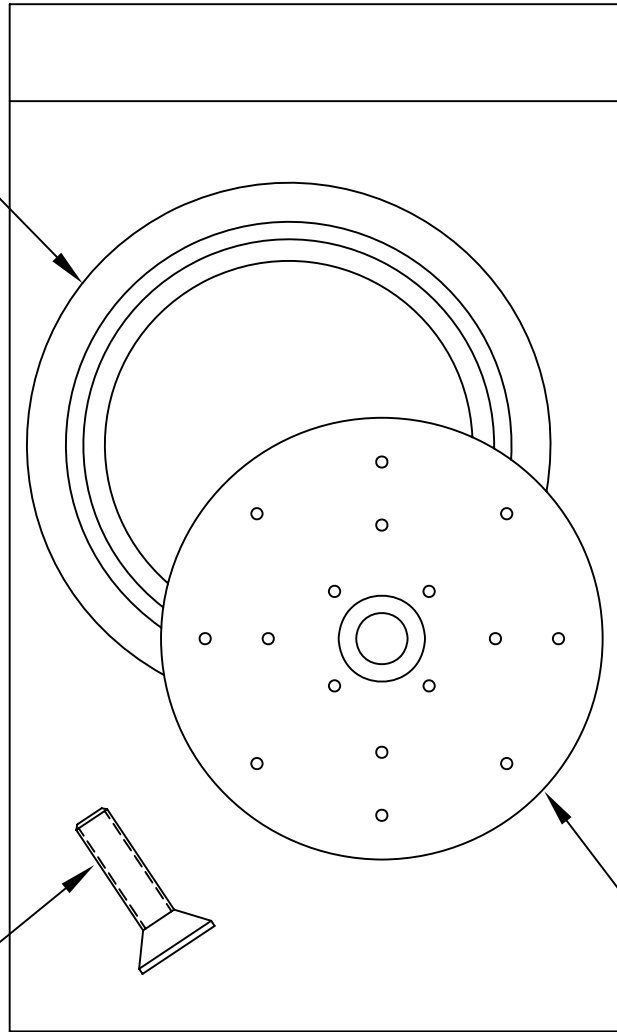
Model Specified _____ Quantity _____

Customer/Wholesaler _____

Contractor _____

Architect/Engineer _____

RUBBER
BUMPER



SCREW

SPRAY FACE

MODEL NUMBER 5SV-HR-RK

DATE 3/21/06

SCALE 1:1

DRAWN DHL

CHECKED WJS

APPROVED JHB



DESCRIPTION

REPAIR KIT FOR HOSE REEL SPRAY VALVE
(BUMPER RING, SPRAY FACE & SCREW)

equip Foodservice Accessories
P.O. BOX 1088, 2 SADDLEBACK COVE
TRAVELERS REST, SOUTH CAROLINA 29690
PHONE: 800.891.4808 FAX: 800.868.0084