



T&S BRASS AND BRONZE WORKS, INC.
 2 SADDLEBACK COVE / P.O. BOX 1088 / TRAVELERS REST, SC 29690
 PHONE 800-476-4103 FAX 864-834-3518



Model No.

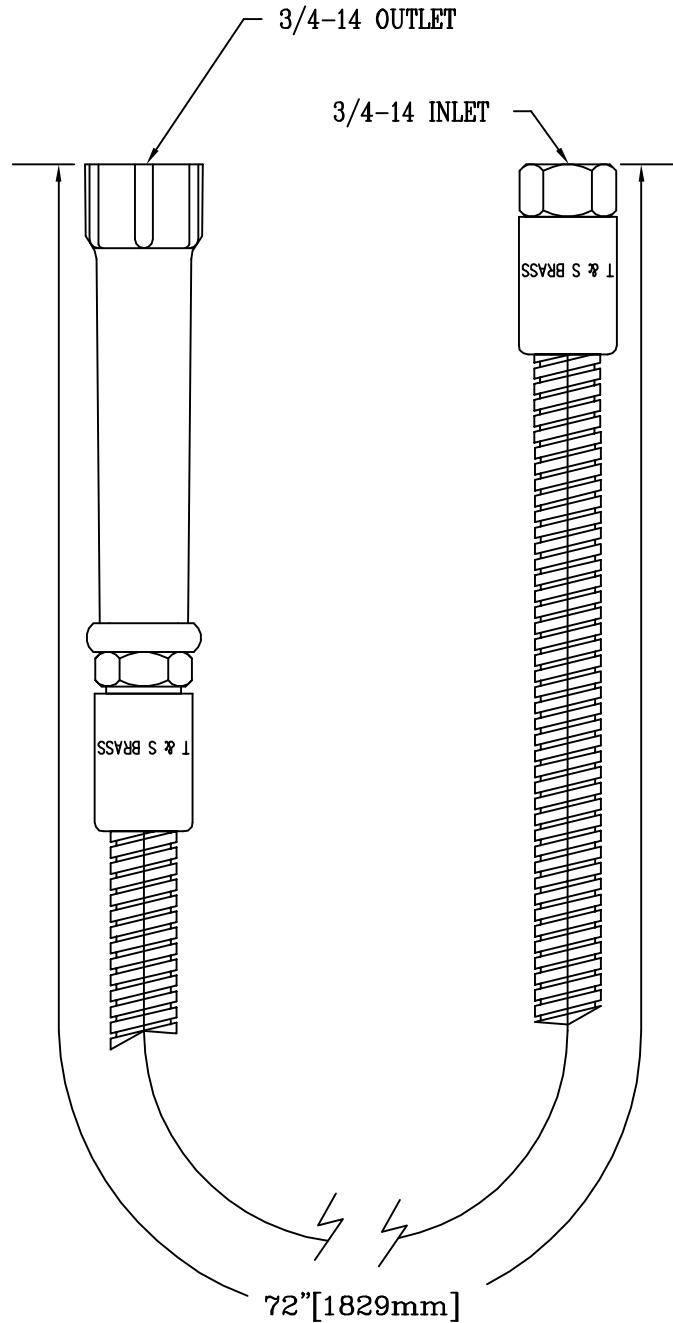
B-0072-H

Item No.:

Job Name:

Architect/Engineer Approval:

Notes:



FLEX STAINLESS STEEL
 HOSE w/ POLYURETHANE
 INNER HOSE

Product Description:

FLEX ST. STEEL HOSE ASM., 72"

Drawn:

WJS

Checked

MVW

Scale:

1:2

Approved

MVW

Date:

8-2-00