



T&S BRASS AND BRONZE WORKS, INC.
 2 SADDLEBACK COVE / P.O. BOX 1088 / TRAVELERS REST, SC 29690
 PHONE 800-476-4103 FAX 864- 834-3518



Model No.

B-0100-08

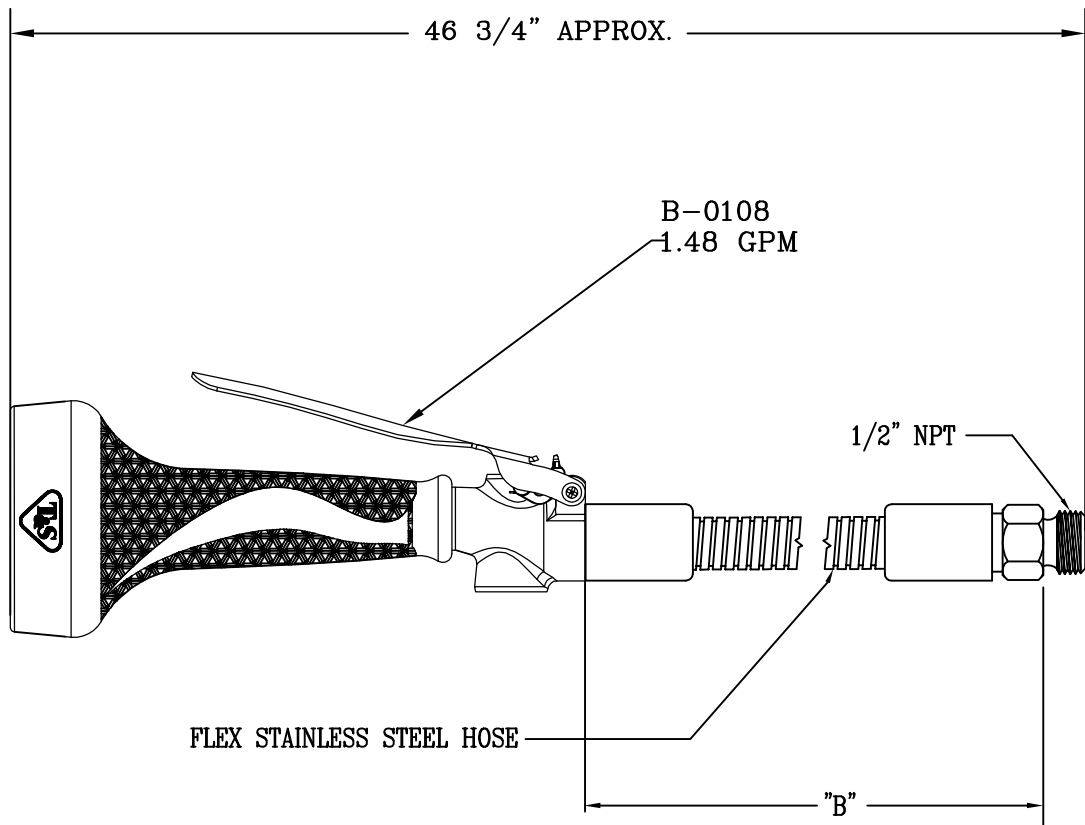
Item No.:

Job Name:

Architect/Engineer Approval:

Notes:

EPAct2005 COMPLIANT



NOTE: "B" STANDARD LENGTH IS 38 1/2"
 ANY LENGTH IS AVAILABLE

Product Description: PRE-RINSE UNIT	Drawn: JRM	Checked: WJS	Scale: 4.5"=1'
	Approved: JHB		Date: 8/9/06