



T&S BRASS AND BRONZE WORKS, INC.
 2 SADDLEBACK COVE / P.O. BOX 1088 / TRAVELERS REST, SC 29690
 PHONE 800-476-4103 FAX 864- 834-3518

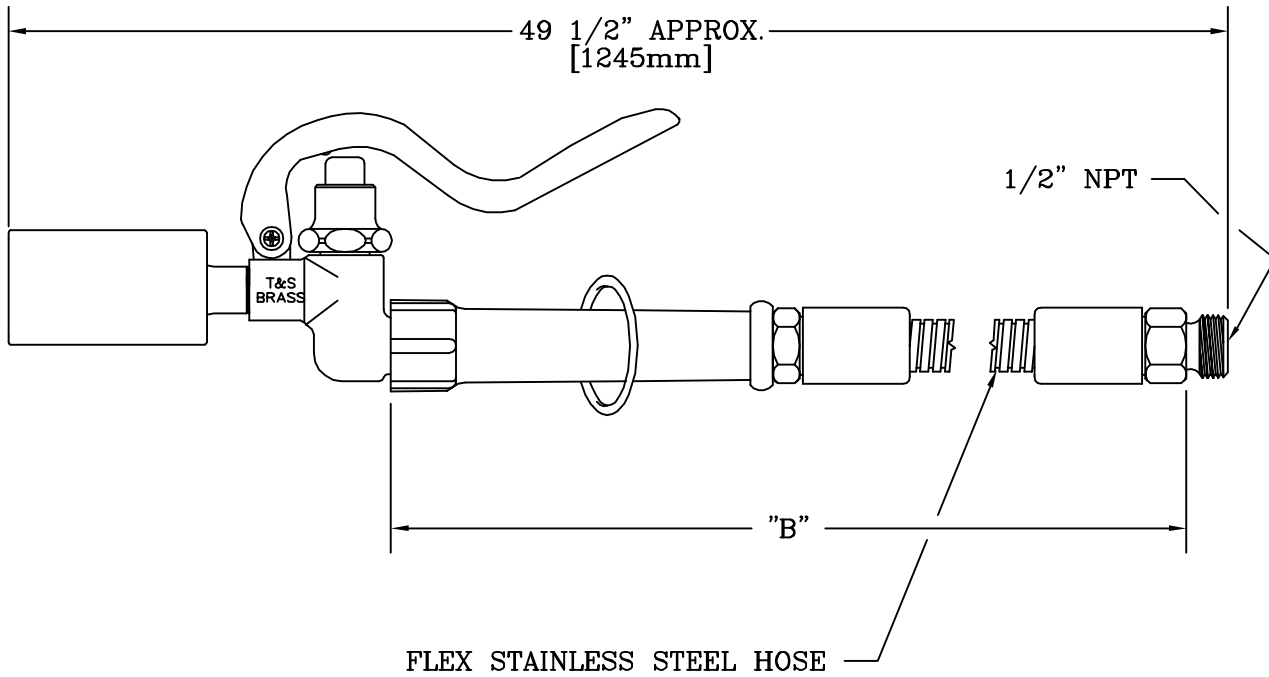


Model No.
 B-0100-C
 Item No.:

Job Name:

Architect/Engineer Approval:

Notes:



**NOTE: "B" STANDARD HOSE UNIT IS 44"[1117mm]
 ANY LENGTH IS AVAILABLE**

Product Description:
 LOW-FLOW PRE-RINSE ASM

Drawn:

MCW

Checked

ARY

Scale:

4.5"=1'

Approved

CA

Date:

4-10-95