



**T&S BRASS AND BRONZE WORKS, INC.**  
 2 SADDLEBACK COVE / P.O. BOX 1088 / TRAVELERS REST, SC 29690  
 PHONE 800-476-4103 FAX 864- 834-3518



Model No.

B-0101-BKF

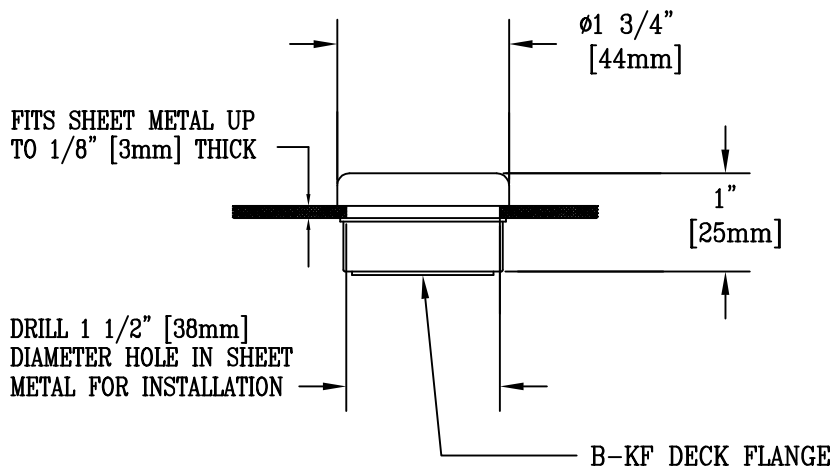
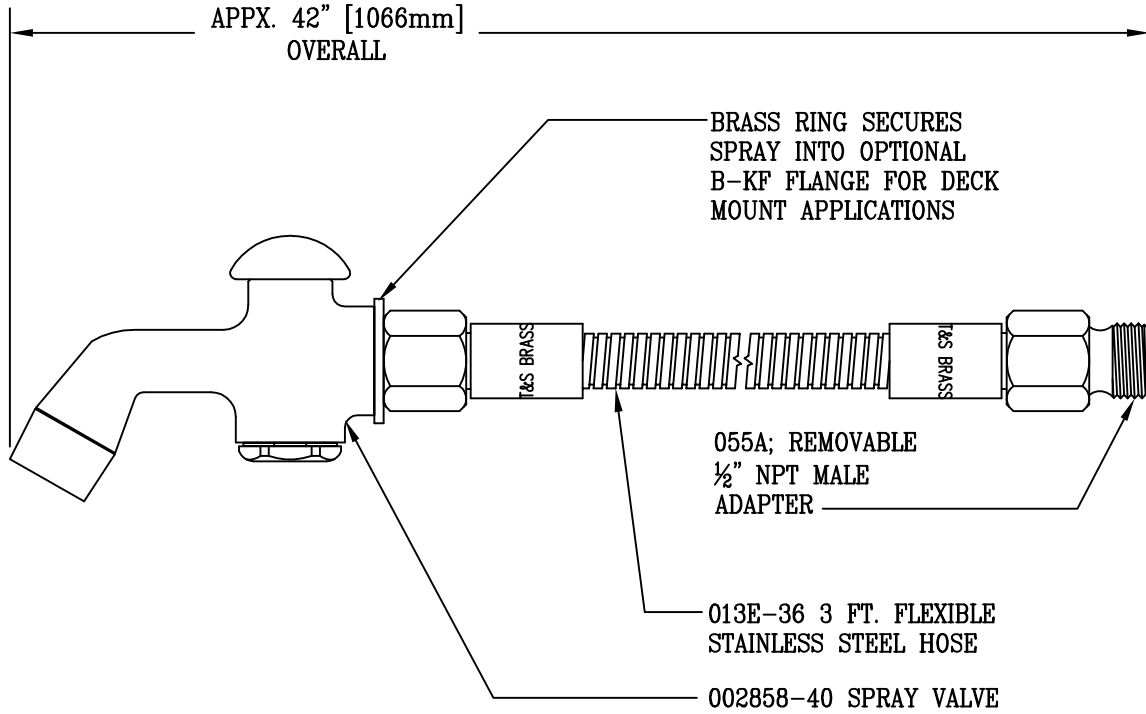
Item No.:

Job Name:

Architect/Engineer Approval:

Notes:

EPAct 2005 Non-Compliant



Product Description:

B-0101 HOSE & SPRAY w/ B-KF DECK FLANGE

Drawn:

WJS

Approved

JHB

Checked

JRM

Scale:

1 : 2

Date:

03/21/06