



**T&S BRASS AND BRONZE WORKS, INC.**  
 2 SADDLEBACK COVE / P.O. BOX 1088 / TRAVELERS REST, SC 29690  
 PHONE 800-476-4103 FAX 864- 834-3518



Model No.

B-0102-ABT

Item No.:

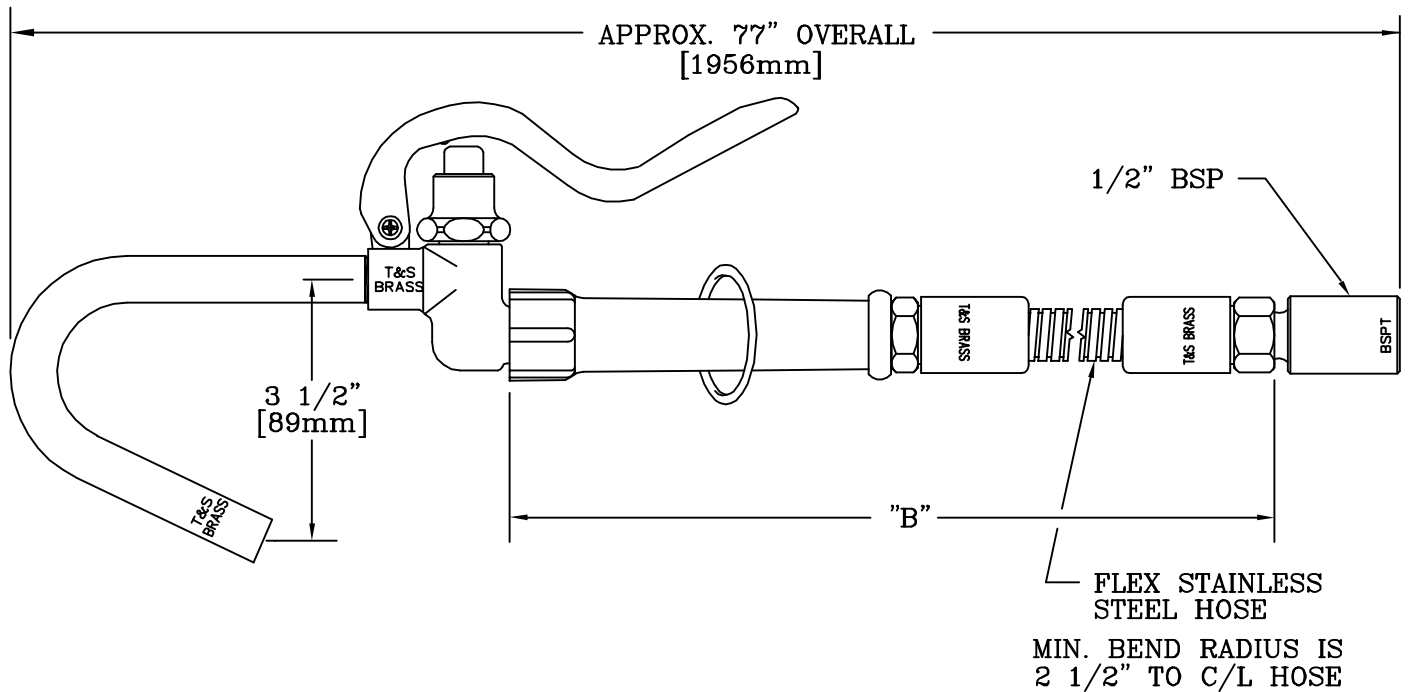
REG.#A2601  
ISO #9002

Job Name:

Architect/Engineer Approval:

Notes:

SEE SPEC. DWG. NO. B-0104  
FOR MOUNTING ACCESSORIES



**NOTE:** "B" STANDARD HOSE UNIT IS 68"[1727mm]  
ANY LENGTH IS AVAILABLE

FURNISHED W/ 1/2" MALE INLET NPT ADAPTER.  
ALSO AVAILABLE W/ 3/8", 1/2" OR 3/4" NPT MALE  
OR FEMALE, AND GARDEN HOSE FEMALE ADAPTER.

Product Description:

POT FILLER ASSEMBLY WITH BSP ADAPTER

Drawn:

MCW

Approved

CA

Checked

ARY

Scale:

4.5"=1'

Date:

4-10-95