



T&S BRASS AND BRONZE WORKS, INC.
 2 SADDLEBACK COVE / P.O. BOX 1088 / TRAVELERS REST, SC 29690
 PHONE 800-476-4103 FAX 864-834-3518



Model No.

B-0107-035

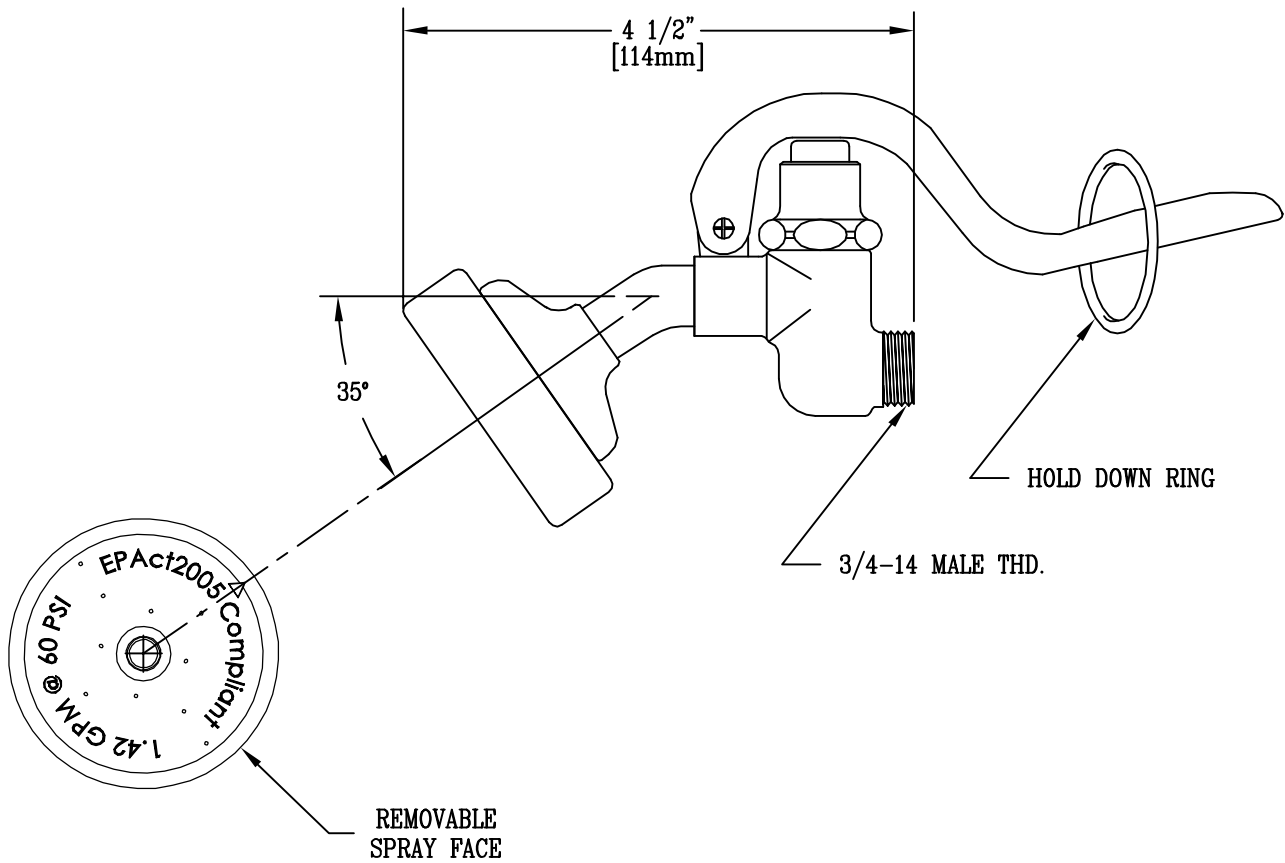
Item No.:

Job Name:

Architect/Engineer Approval:

Notes:

EPAct2005 COMPLIANT



Product Description:
 SPRAY VALVE UNIT WITH ANGLE
 SPRAY FACE, & RUBBER BUMPER

Drawn:

RJK

Checked

JRM

Scale:

1 : 2

Approved

JHB

Date:

1/4/06