

T&S BRASS AND BRONZE WORKS, INC.

2 SADDLEBACK COVE / P.O. BOX 1088 / TRAVELERS REST, SC 29690

PHONE 800-476-4103

FAX 864-834-3518



REG.#A2601
ISO #9002

Model No.

B-0107-C35

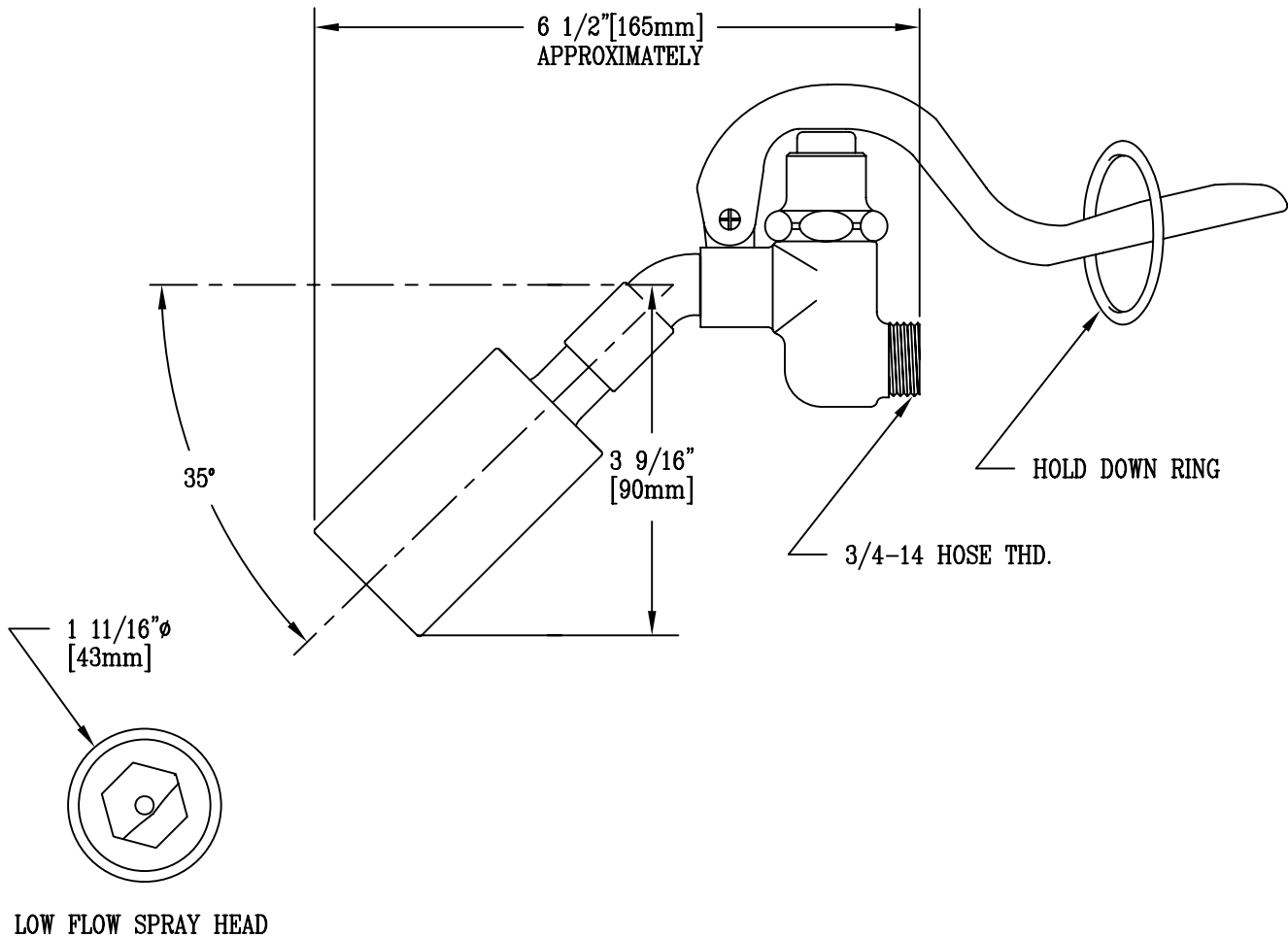
Item No.:

Job Name:

Architect/Engineer Approval:

Notes:

EPAct2005 COMPLIANT



Product Description:
SPRAY VALVE UNIT WITH ANGLE
LOW-FLOW NOZZLE

Drawn:

DHL

Approved

JHB

Checked

WJS

Scale:

6" = 1'

Date:

8/4/06