



T&S BRASS AND BRONZE WORKS, INC.
 2 SADDLEBACK COVE / P.O. BOX 1088 / TRAVELERS REST, SC 29690
 PHONE 800-476-4103 - FAX 864- 834-3518



Model No.

B-0111-02

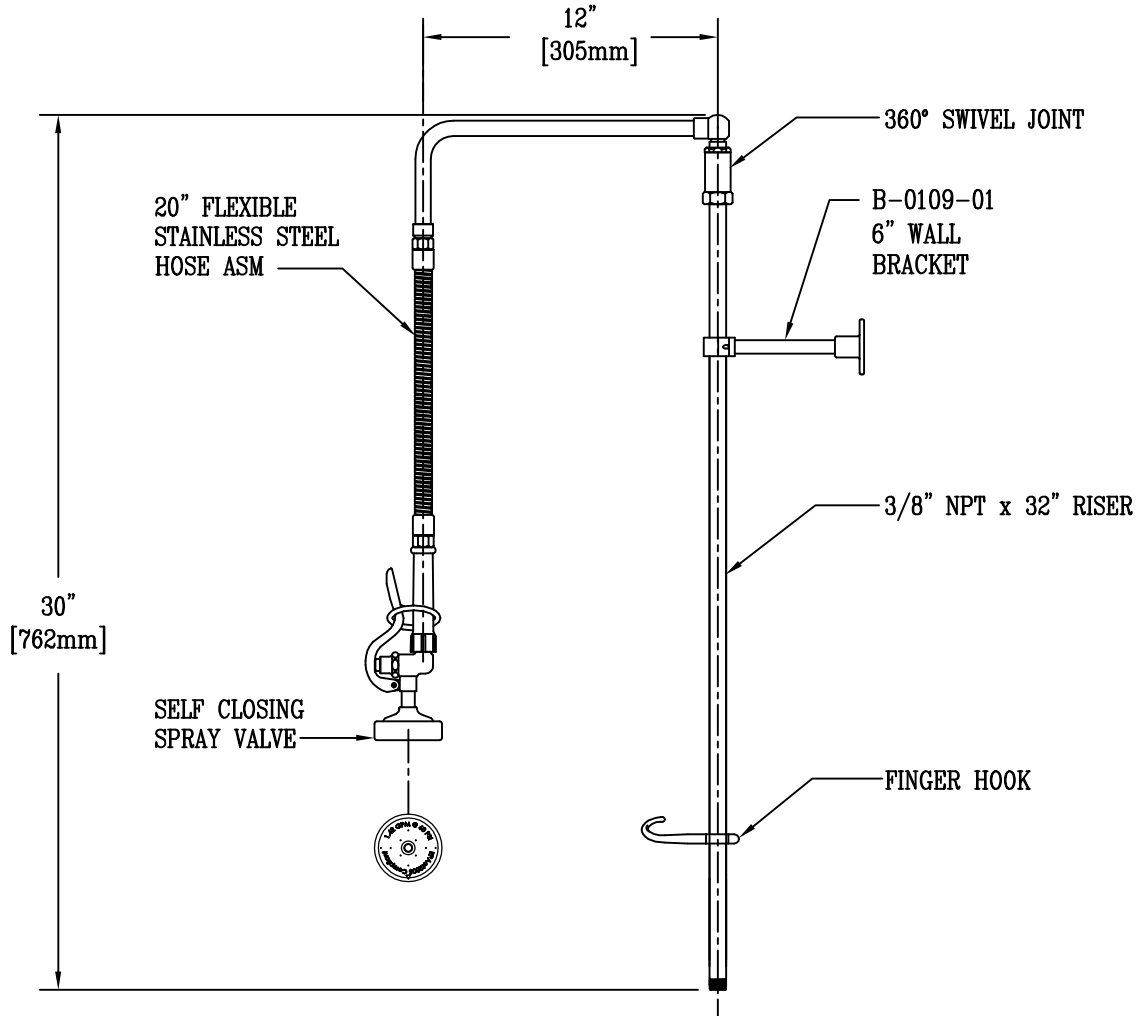
**RELIABILITY
 BUILT IN**

Job Name:

Architect/Engineer Approval:

Notes:

EPAct2005 COMPLIANT



Product Description:

RISER KIT AND 12" L-TUBE ASM.

Drawn:

RJK

Checked

JRM

Scale:

1 : 8

Approved

JHB

Date:

01-04-06