



**T&S BRASS AND BRONZE WORKS, INC.**  
 2 SADDLEBACK COVE / P.O. BOX 1088 / TRAVELERS REST, SC 29690  
 PHONE 800-476-4103 - FAX 864- 834-3518

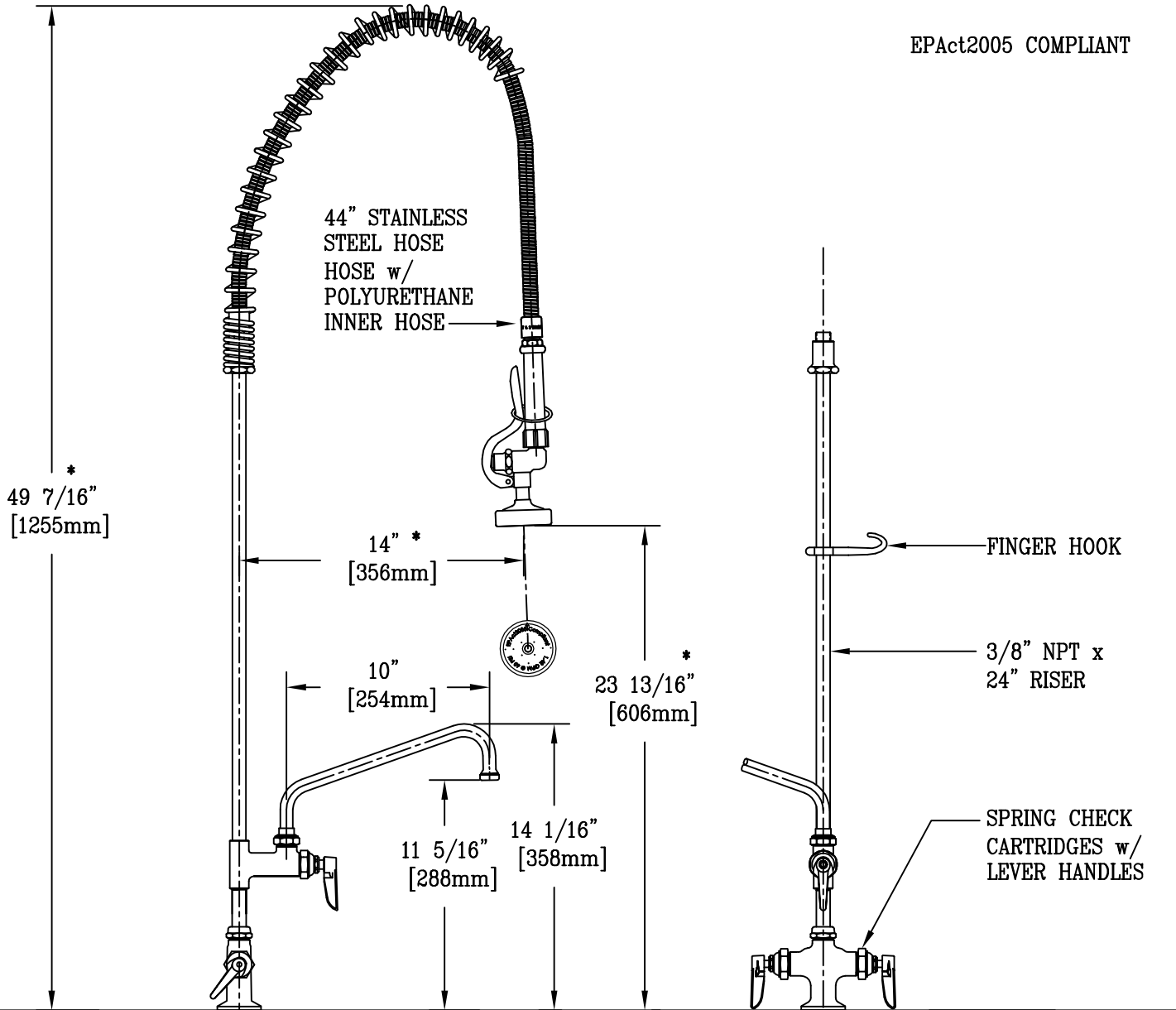


Model No.  
**B-0113-ADF10**  
**RELIABILITY BUILT IN**

Job Name:

Architect/Engineer Approval:

Notes:



18" FLEX. ST. STEEL SUPPLY HOSES.

COMPRESSION FITTINGS FOR 5/8" O.D COPPER TUBING. OR REMOVE COMPRESSION NUT FOR 1/2" NPSM MALE.

APPX. 22" [559mm]

\* DIMENSIONS MAY VARY ± 1/2" ON EACH INSTALLATION

Product Description:  
 EASY INSTALL PRE-RINSE UNIT:  
 SINGLE DECK MOUNT BASE MIXING FAUCET, FLEXIBLE SUPPLIES, ADD ON FCT.,  
 10" SWING NOZZLE, SUPPORT SPRING, 44" FLEX HOSE, SPRAY VALVE

Drawn: RJK	Checked JRM	Scale: 1 : 8
Approved JHB	Date: 01/04/06	