



T&S BRASS AND BRONZE WORKS, INC.
 2 SADDLEBACK COVE / P.O. BOX 1088 / TRAVELERS REST, SC 29690
 PHONE 800-476-4103 FAX 864- 834-3518



Model No.

B-0156

Item No.:

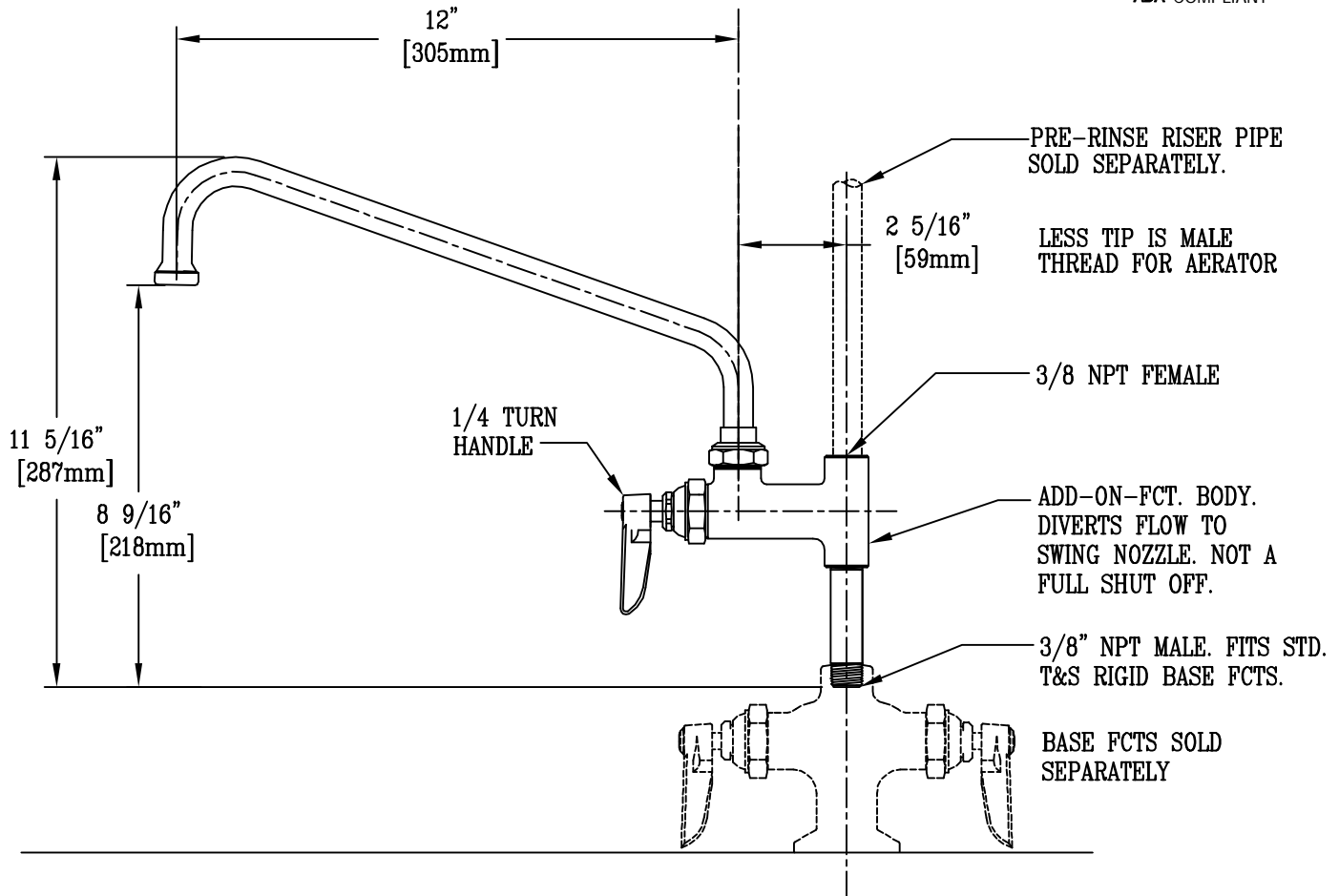
Job Name:

Architect/Engineer Approval:

Notes:



ADA COMPLIANT



- NOTES:**
1. THE ADD-ON FAUCET IS AN ADDITION TO PRE-RINSE UNITS AND IS INSTALLED IN OUTLETS OF BASE MIXING FAUCETS OF UNITS BEFORE FITTING RISER PIPE, AS SHOWN.
 2. LEVER HANDLE CONTROLS WATER ON-OFF THRU NOZZLE ONLY; PRESSURE IS ALWAYS "ON" IN RISER PIPE. (CONTROLLED BY BASE FAUCET).

Product Description:

ADD-ON FAUCET WITH 12" SWING NOZZLE AND 1/4 TURN HANDLE

Drawn:

WJS

Approved

MVW

Checked

JKD

Scale:

1 : 4

Date:

8/18/99