



# T&S BRASS AND BRONZE WORKS, INC.

2 Saddleback Cove / P.O. Box 1088  
Travelers Rest, SC 29690



REG. #A2601  
ISO #9001

Model No.  
**B-0208**

Item No.

Travelers Rest, SC: 800-476-4103    Simi Valley, CA: 800-423-0150    Fax: 864-834-3518    www.tsbrass.com

This Space for Architect/Engineer Approval

Job Name \_\_\_\_\_ Date \_\_\_\_\_

Model Specified \_\_\_\_\_ Quantity \_\_\_\_\_

Customer/Wholesaler \_\_\_\_\_

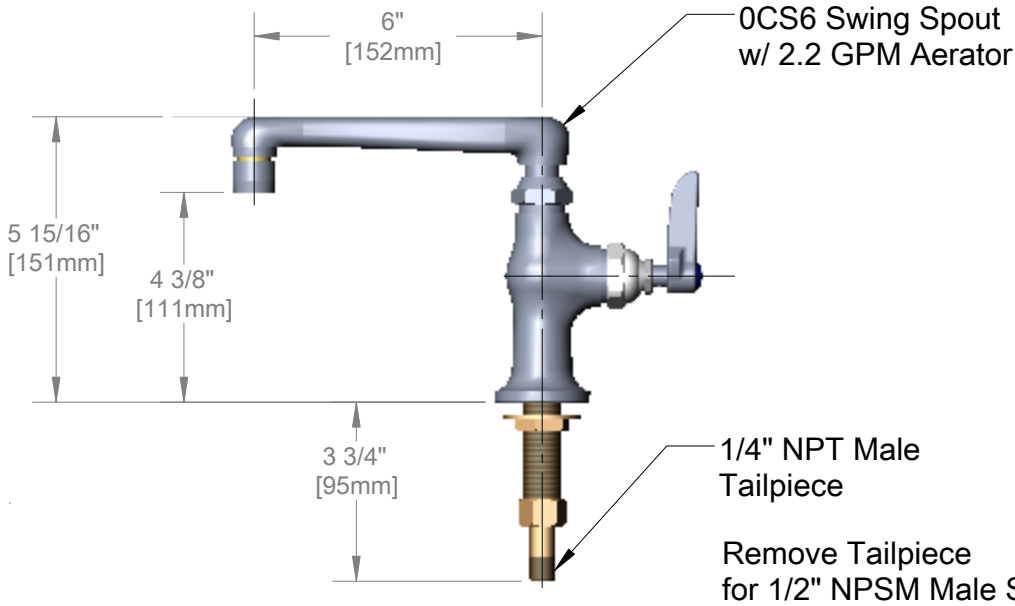
Contractor \_\_\_\_\_

Architect/Engineer \_\_\_\_\_



Variations or Applicable Options:  
B-WH4    4" Wrist Action Handle  
175F    4-Arm Kitchen Handle  
B-0199-21 Laminar Flow Outlet

Ø 7/8"  
[22mm]



Product Specifications:  
Single Temperature Deck Mount Faucet w/ 1/2" NPSM Male Shank, Eterna Cartridge, Lever Handle, & 6" Cast Spout w/ 2.2 GPM Aerator

Drawn  
WJS

Checked  
JRM

Approved  
JHB

Scale:

1:4

Date:

12/04/06



**T&S BRASS AND BRONZE WORKS, INC.**

2 Saddleback Cove / P.O. Box 1088  
Travelers Rest, SC 29690



REG. #A2601  
ISO #9001

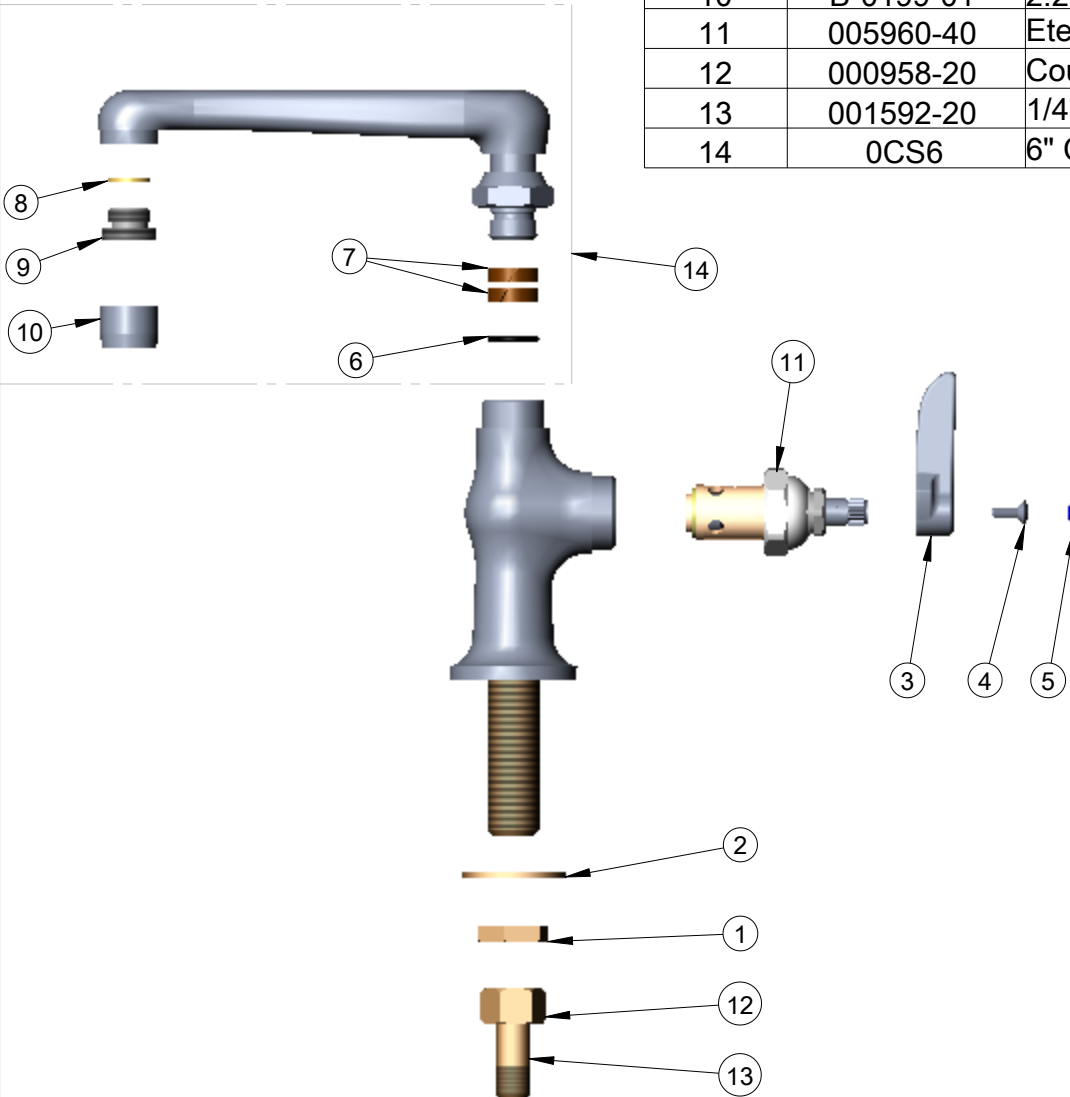
Model No.

**B-0208**

Item No.

Travelers Rest, SC: 800-476-4103 Simi Valley, CA: 800-423-0150 Fax: 864-834-3518 www.tsbrass.com

ITEM	PART NO.	DESCRIPTION
1	002954-45	Shank Lock Nut
2	007361-45	Brass Lock Washer
3	177F	Lever Handle
4	000922-45	Lever Handle Screw
5	001660-45	Blue Index-CW
6	001074-45	O-Ring
7	011429-45	Swivel Sleeve
8	009636-45	Washer
9	044A	3/8" to Aer. Adapter
10	B-0199-01	2.2 GPM Aerator
11	005960-40	Eterna Ctg
12	000958-20	Coupling Nut
13	001592-20	1/4" NPT Tailpiece
14	OCS6	6" Cast Spout



Product Specifications:

Single Temperature Deck Mount Faucet w/ 1/2" NPSM Male Shank, Eterna Cartridge, Lever Handle, & 6" Cast Spout w/ 2.2 GPM Aerator

Drawn WJS	Checked JRM	Approved JHB
Scale: 1:4		Date: 12/04/06